

**KOMATSU**



Industrial solutions

**Timber**

## Timber industry

Renowned for high quality standards and reliability, Komatsu meets the huge demand placed on machines by timber industry with a wide range of options and modifications available ex factory for our base machine. This provides the flexibility to adapt the Komatsu wheel loader to the specific requirements of different timber applications and jobsite conditions. Whether you choose the full timber specification or just individual components, you're guaranteed increased machine performance, availability and efficiency.





## Tool linkage boom

The new tool linkage boom dramatically increases tilting torque (vs Z bar) in the most exposed position - boom raised, fully dumped. This allows precise, easy handling of heavy loads such as unloading logs from a truck. The new tool linkage kinematics ensure the bell crank cannot interfere when using large buckets. This allows immediate use of existing customer buckets without modification or replacement.



Hydraulic quick-coupler



Multi-view front camera system for large attachments



Log grapple



High-dump and light material buckets



Tool linkage boom



LED working lights



Bucket cylinder protection



Rear protection guard (hinged)



Air intake grids



# Equipment for timber industry

## Safety equipment

Bucket cylinder protection	<input type="radio"/>
Log catcher on bucket cylinder	<input type="radio"/>
Multi-view front camera system for large attachments	<input type="radio"/>
Rear protection guard (hinged)	<input type="radio"/>
Heavy-duty front window guard	<input type="radio"/>

## Engine

Hydrostat-driven radiator fan with automatic reversing function	<input checked="" type="radio"/>
Wide core side-by-side radiator	<input checked="" type="radio"/>
Turbo II pre-cleaner, self-separating	<input type="radio"/>
Air intake grids	<input type="radio"/>
Cold area kit (engine and cab pre-heating)	<input type="radio"/>

## Hydraulic system

Independent control of driveline and work equipment	<input checked="" type="radio"/>
Automatic return-to-dig	<input checked="" type="radio"/>
EPC fingertip control, three levers	<input type="radio"/>
EPC 1-lever (multifunction lever) with sliding proportional control for attachments	<input type="radio"/>

## Chassis and tyres

Reinforced axles	<input type="radio"/>
Rubber front fenders	<input type="radio"/>
Limited-slip differential (LSD), front and rear	<input type="radio"/>
Tyres 26.5 R25 L3, L4, L5	<input type="radio"/>
Tyres 775/65	<input type="radio"/>

## Work equipment

Tool linkage boom	<input type="radio"/>
Hydraulic quick-coupler	<input type="radio"/>
High efficiency buckets with flat or raised bottom	<input type="radio"/>
Log grapple	<input type="radio"/>
High-dump buckets	<input type="radio"/>
Light material buckets	<input type="radio"/>
Fork carrier and tines	<input type="radio"/>

## Lighting system

Additional LED working lights, 4 front, 4 rear	<input type="radio"/>
Step light	<input type="radio"/>

## Other equipment

Standard counterweight (A05)	<input checked="" type="radio"/>
Additional counterweight (A15)	<input type="radio"/>
Heavy counterweight (A25)	<input type="radio"/>



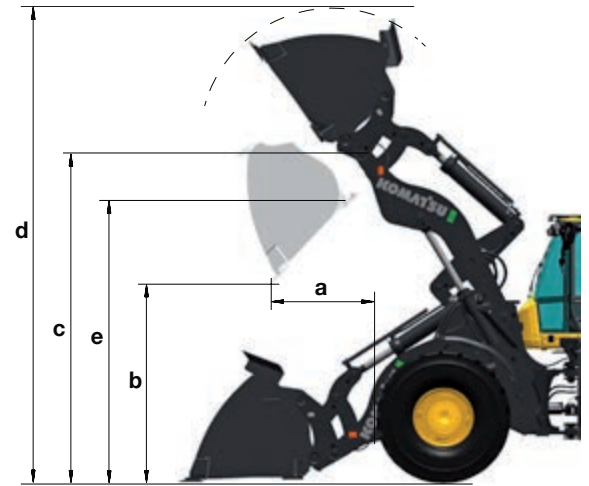
Please see the WA475-10 model brochure for all available equipment options and the full specifications.

This specification sheet may contain attachments and optional equipment that are not available in your area. Please consult your local Komatsu distributor for those items you may require. Materials and specifications are subject to change without notice.

# Dimensions and performance figures

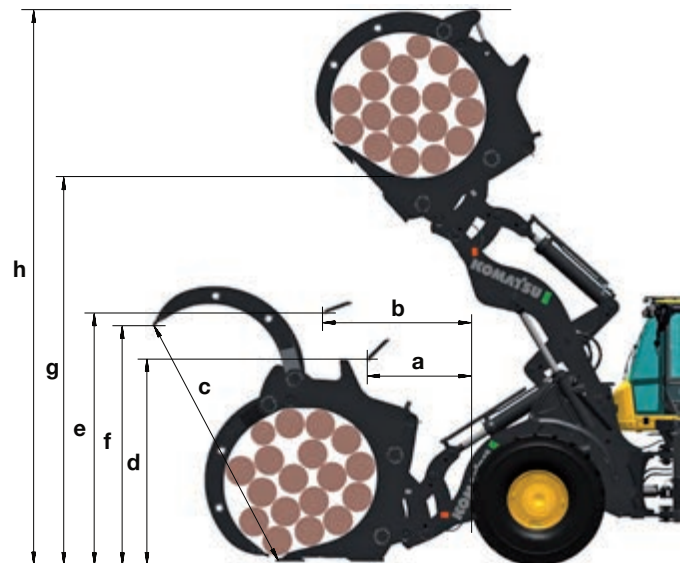
## Bucket with raised bottom

Bucket capacity (heaped, ISO 7546)	m <sup>3</sup>	4.7
Sales code		QC77
Material density	t/m <sup>3</sup>	1.6
Bucket width	mm	3000
Bucket weight	kg	2000
Static tipping load, straight	kg	19300
Static tipping load, 40° articulated	kg	15825
Break-out force hydraulic	kN	177
a Reach at 45°	mm	1440
b Dumping height at 45°	mm	2600
c Hinge pin height	mm	4345
d Height top edge of bucket	mm	6475
e Max. loading height at 45°	mm	3765
Digging depth	mm	125
Operating weight	kg	26745



## Log grapple (transport & sorting)

Grapple cross-sectional area	m <sup>2</sup>	3.1
Sales code		Q912
Grapple width	mm	1810
Payload	kg	8300
Hinge pin height	mm	4345
b Reach at max. lifting height at 20° discharge	mm	1985
a Reach at max. lifting height at 45° discharge	mm	1395
c Max. grapple opening	mm	3525
d Discharge height at 45°	mm	2660
e Discharge height at 20°	mm	3285
f Max. grapple opening in loading position	mm	3130
g Manipulation height	mm	5105
h Max. height	mm	7350
Operating weight	kg	28800
Heavy counterweight		(A25)
Tyres		26.5R25 L4



## Typical material density (in ton/m<sup>3</sup>) for light material and high-dump buckets

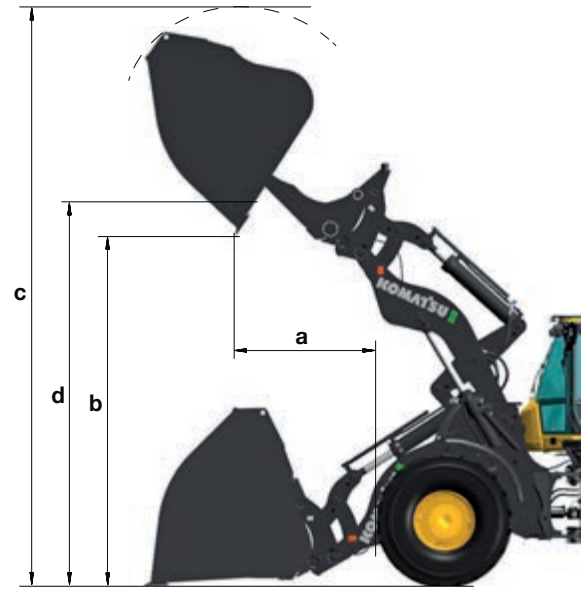
Waste glass, fine	1.4	Waste paper, loose	0.6
Waste glass, coarse	1.0	Waste paper, processed	1.0
Compost, dry	0.8	Hard coal, high density	1.2
Compost, wet	1.0	Hard coal, low density	0.9
Wood chips, saw dust	0.5	Domestic waste, loose & dry	0.8

If not stated otherwise, all measurements with tool linkage boom, quick-coupler, tyres 26.5 R25 L3 and additional counterweight (A15)

### High-dump bucket (bulk materials)

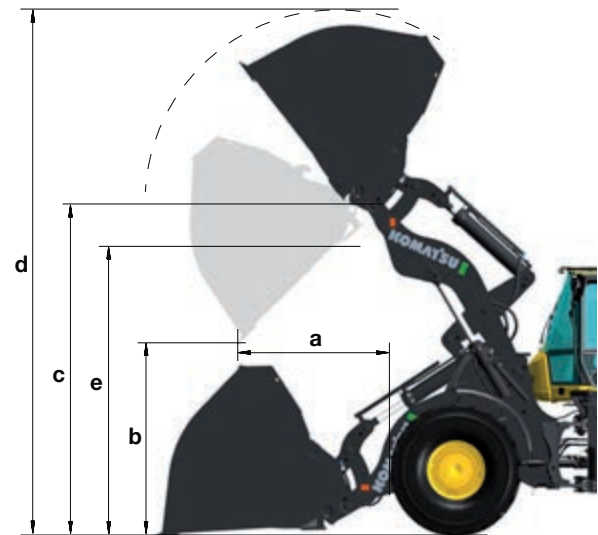
Bucket capacity (heaped, ISO 7546)	m <sup>3</sup>	12.0
Sales code		Q913
Material density	t/m <sup>3</sup>	0.5
Tube style spill guard		without
Bucket width	mm	4000
Bucket weight	kg	4200
Hinge pin height	mm	4345
a Reach at 45°	mm	1890
b Dumping height at 45°	mm	4575
c Height top edge of bucket	mm	7660
d Max. loading height at 45°	mm	4850
Static tipping load, 40° articulated (L3 tyres)	kg	14575
Static tipping load, 40° articulated (L5 tyres)	kg	15270
Operating weight (L3 tyres)	kg	28965
Operating weight (L5 tyres)	kg	30070

Dump cylinders located inside bucket



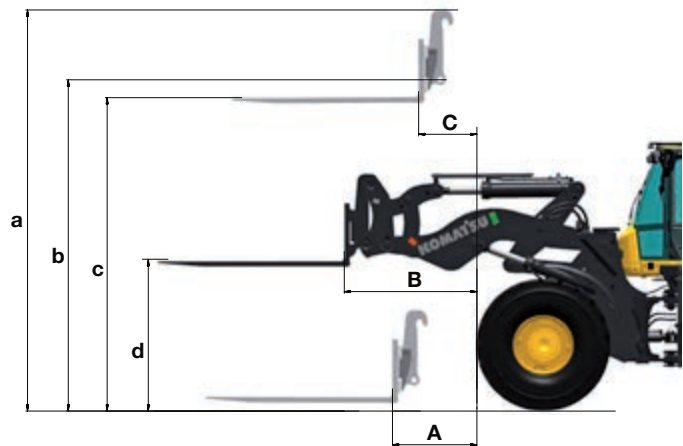
### Light material bucket

Bucket capacity (heaped, ISO 7546)	m <sup>3</sup>	13.0
Sales code		Q914
Material density	t/m <sup>3</sup>	0.5
Tube style spill guard		without
Bucket width	mm	4000
Bucket weight	kg	3900
a Reach at 45°	mm	1865
b Dumping height at 45°	mm	2215
c Hinge pin height	mm	4345
d Height top edge of bucket	mm	6995
e Max. loading height at 45°	mm	3780
Static tipping load, 40° articulated (L3 tyres)	kg	17150
Static tipping load, 40° articulated (L5 tyres)	kg	14300
Operating weight (L3 tyres)	kg	28645
Operating weight (L5 tyres)	kg	29750



### Fork tines

Fork tine length	mm	1500
A Max. reach at ground level	mm	1150
B Max. reach	mm	1795
C Max. reach at max. stacking height	mm	0775
a Max. height fork-carrier	mm	5295
b Hinge pin height	mm	4345
c Max. stacking height	mm	4120
d Height of forks at maximum reach	mm	1930
Max. tipping load, straight	kg	20250
Max. tipping load, articulated	kg	17600
Max. payload as per EN 474-3, 80%	kg	10000*
Max. payload as per EN 474-3, 60%	kg	10000*
Operating weight	kg	25335



\* Payload limited by fork tine



**Please contact your Komatsu dealer for more details and to get a quote.**

---

Your Komatsu partner:

**KOMATSU**

[komatsu.eu](https://www.komatsu.eu)

