

KOMATSU



Industry Solutions
WASTE & RECYCLING

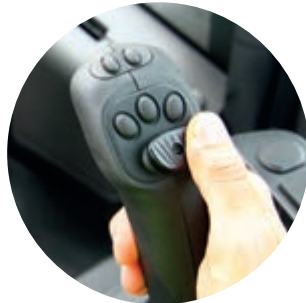
Wheel Loaders

Renowned for high quality standards and reliability, Komatsu meets the huge demand placed on machines by the waste management industry with a wide range of options and modifications available ex factory for our base machines. This provides the flexibility to adapt the Komatsu wheel loader range to the specific requirements of different waste handling applications and jobsite conditions. Whether you choose the full waste specification or individual components, you're guaranteed increased machine performance, availability and efficiency.



Front window guard

The front window guard protects the windscreen and ensures a clear view for the operator. With its gas-powered springs, it can easily be opened for cleaning the windscreen (tiltable version).



Multi-function lever

Multi-function lever with proportional electronic control for 3rd spool and optionally 4th spool.



Wide-core radiator with cab-controlled fan

An automatically reversible radiator fan (settings controlled from the cab) dramatically reduces maintenance and cleaning by blowing debris out.



Newly designed air intake grids

The engine compartment is shielded all-round with protective grids. Small hexagonal holes keep out particles that could clog the radiator, and reduce maintenance and cleaning requirements.



Articulation area protection

Thick and durable rubber prevents waste from accumulating in the articulation, reducing the risk of damage and fire. The top surface is protected by both a metal plate and the shape of the front window guard (depends on model).



LED and Xenon working lights

Up to 8 additional lights can be fitted to the cab roof rail.

Bucket cylinder protection guard

Shields the piston rod and protects the return-to-dig sensors.

Wide range of attachments

Including light material buckets, high-dump buckets, waste handling buckets, waste handling mulch grapple buckets, compost forks and many more, with a choice of quick-coupler and direct mounts.

Lamp protection guards

Komatsu remembers important little details such as protective grilles for the working lights. Lamp guards not only protect from damage, they also remove a potential fire hazard.

Lift cylinder hose protection

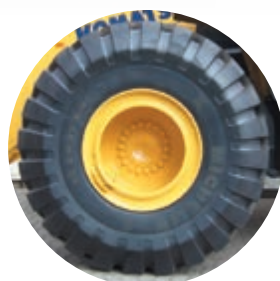
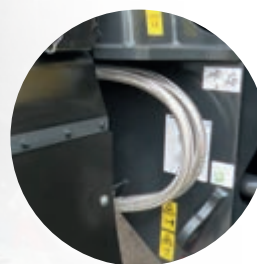
Braided stainless steel sleeves perfectly protect the lifting cylinder hydraulic hoses.

Underbody protection

Full underbody protection for front and rear frame is optionally available for all models. Their service-friendly design enables easy access.

Cut-resistant tyres with valve protection

Cut-resistant L5-industrial tyres with protected valves ensure the highest levels of safety. Solid tyres are also available on request.



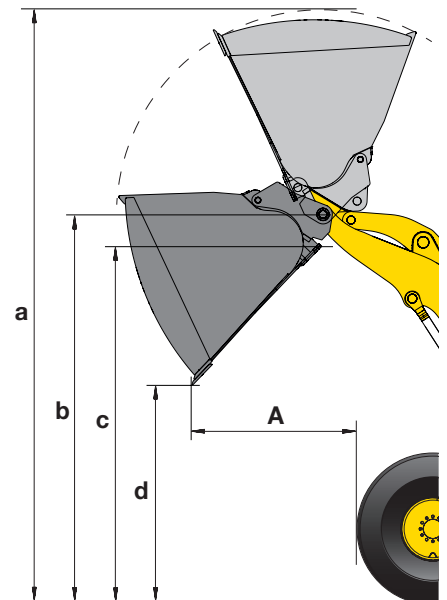
Dimensions & Performance Figures



LIGHT MATERIAL BUCKET

HIGH-LIFT

		Q364	Q854
Sales code		Q364	Q854
Bucket capacity (heaped, ISO 7546)	m ³	3,2	3,2
Tube style spill guard		without	with
Bucket mount (direct/quick-coupler)		QC	QC
Material density	t/m ³	1,0	0,8
Bucket width	mm	2.550	2.550
Bucket weight	kg	1.060	1.060
A Reach at 45°	mm	1.270	1.710
a Height top edge of bucket	mm	5.375	5.815
b Hinge pin height	mm	3.885	4.325
c Max. loading height at 45°	mm	3.560	4.000
d Dump height at 45°	mm	2.430	2.870
Static tipping load, 40° articulated (L3 tyres)	kg	7.340	5.425
Static tipping load, 40° articulated (L5 tyres)	kg	7.770	5.785
Operating weight (L3 tyres)	kg	12.350	12.455
Operating weight (L5 tyres)	kg	12.970	13.110



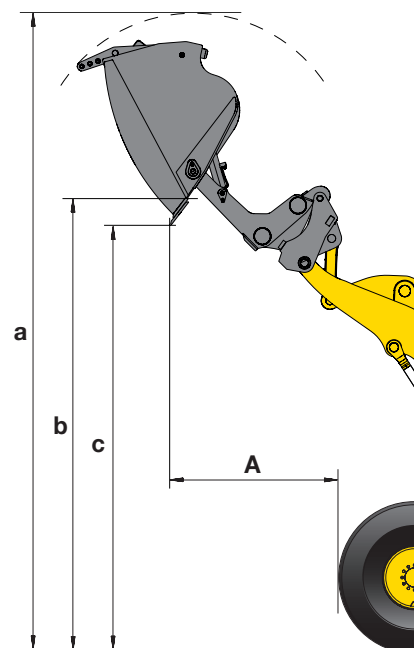
TYPICAL MATERIAL DENSITY – LOOSE (IN KG/M³)

Basalt	1.960	Gravel, unscreened	1.930	Sandstone	1.510
Bauxite, Kaolin	1.420	Gravel, dry	1.510	Slate	1.250
Earth, dry, ex store	1.510	Gravel, dry, 6-50 mm	1.690	Slag, broken	1.750
Earth, wet, excavated	1.600	Gravel, wet, 6-50 mm	2.020	Stone, crushed	1.600
Gypsum, broken	1.810	Sand, dry, loose	1.420	Clay, natural	1.660
Gypsum, crushed	1.600	Sand, damp	1.690	Clay, dry	1.480
Granite, broken	1.660	Sand, wet	1.840	Clay, wet	1.660
Limestone, broken	1.540	Sand and clay, loose	1.600	Clay and gravel, dry	1.420
Limestone, crushed	1.540	Sand and gravel, dry	1.720	Clay and gravel, wet	1.540

HIGH-DUMP BUCKET (WASTE HANDLING)

	HIGH-LIFT			
	Q863	Q864	Q865	Q866
Sales code	Q863	Q864	Q865	Q866
Bucket capacity (heaped, ISO 7546)	m ³ 3,5	3,5	2,5	2,5
Tube style spill guard	with	with	with	with
Bucket mount (direct/quick-coupler)	direct	QC	direct	QC
Material density	t/m ³ 0,8	0,8	0,8	0,8
Bucket width	mm 2.550	2.550	2.550	2.550
Bucket weight	kg 2.120	1.950	1.780	1.700
A Reach at 45°	mm 1.535	1.670	1.400	1.600
a Height top edge of bucket	mm 5.885	6.150	6.300	6.630
b Max. loading height at 45°	mm 4.440	4.500	4.730	5.035
c Dump height at 45°	mm 4.280	4.500	4.480	4.805
Static tipping load, 40° articulated (L3 tyres)	kg 6.415	6.435	5.000	4.750
Static tipping load, 40° articulated (L5 tyres)	kg 6.840	6.860	5.355	5.100
Operating weight (L3 tyres)	kg 13.035	13.210	12.875	13.095
Operating weight (L5 tyres)	kg 13.690	13.860	13.525	13.750

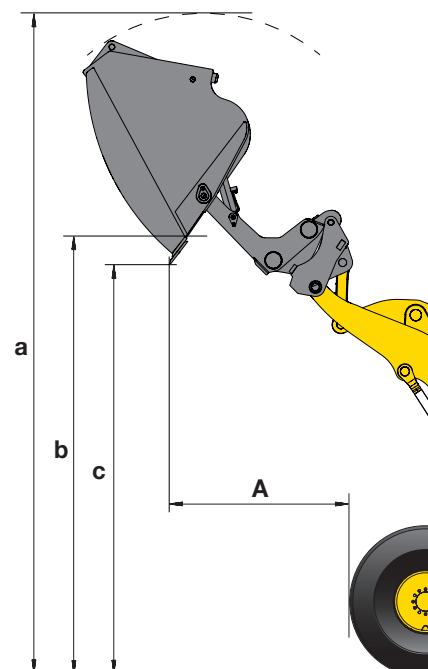
Type B, dump cylinders located outside bucket



HIGH-DUMP BUCKET (BULK MATERIALS)

	HIGH-LIFT			
	Q413	Q414	Q461	Q462
Sales code	Q413	Q414	Q461	Q462
Bucket capacity (heaped, ISO 7546)	m ³ 2,5	2,5	3,5	3,5
Tube style spill guard	without	without	without	without
Bucket mount (direct/quick-coupler)	direct	QC	direct	QC
Material density	t/m ³ 1,1	1,1	0,6	0,6
Bucket width	mm 2.550	2.550	2.550	2.550
Bucket weight	kg 1.780	1.700	2.120	1.950
A Reach at 45°	mm 1.330	1.530	1.605	1.740
a Height top edge of bucket	mm 5.860	6.190	6.325	6.590
b Max. loading height at 45°	mm 4.285	4.590	4.885	4.945
c Dump height at 45°	mm 4.045	4.370	4.715	4.935
Static tipping load, 40° articulated (L3 tyres)	kg 6.805	6.645	4.440	4.520
Static tipping load, 40° articulated (L5 tyres)	kg 7.230	7.075	4.780	4.850
Operating weight (L3 tyres)	kg 12.725	12.960	13.210	13.345
Operating weight (L5 tyres)	kg 13.380	13.610	13.865	14.000

Type B, dump cylinders located outside bucket



TYPICAL MATERIAL DENSITY (IN TON/M³) FOR LIGHT MATERIAL AND HIGH-DUMP BUCKETS

Waste glass, fine	1,4	Waste paper, loose	0,6
Waste glass, coarse	1,0	Waste paper, processed	1,0
Compost, dry	0,8	Hard coal, high density	1,2
Compost, wet	1,0	Hard coal, low density	0,9
Wood chips, saw dust	0,5	Domestic waste, loose & dry	0,8

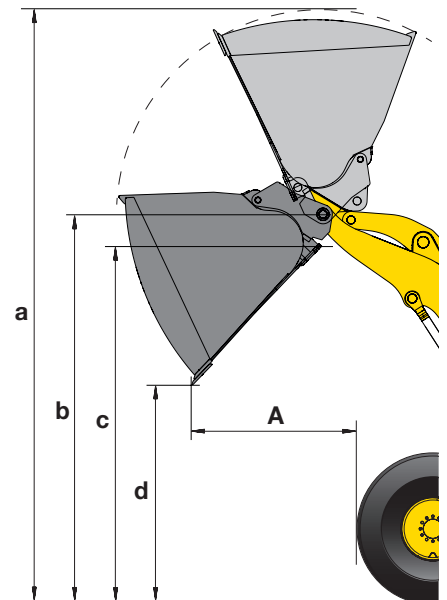
Dimensions & Performance Figures



LIGHT MATERIAL BUCKET

HIGH-LIFT

		Q364	Q854
Sales code		Q364	Q854
Bucket capacity (heaped, ISO 7546)	m ³	3,5	3,5
Tube style spill guard		without	with
Bucket mount (direct/quick-coupler)		QC	QC
Material density	t/m ³	1,0	0,8
Bucket width	mm	2.550	2.550
Bucket weight	kg	1.190	1.190
A Reach at 45°	mm	1.335	1.435
a Height top edge of bucket	mm	5.610	6.040
b Hinge pin height	mm	3.965	4.395
c Max. loading height at 45°	mm	3.620	4.050
d Dump height at 45°	mm	2.460	2.890
Static tipping load, 40° articulated (L3 tyres)	kg	7.920	6.185
Static tipping load, 40° articulated (L5 tyres)	kg	8.300	6.500
Operating weight (L3 tyres)	kg	13.465	13.570
Operating weight (L5 tyres)	kg	14.115	14.220



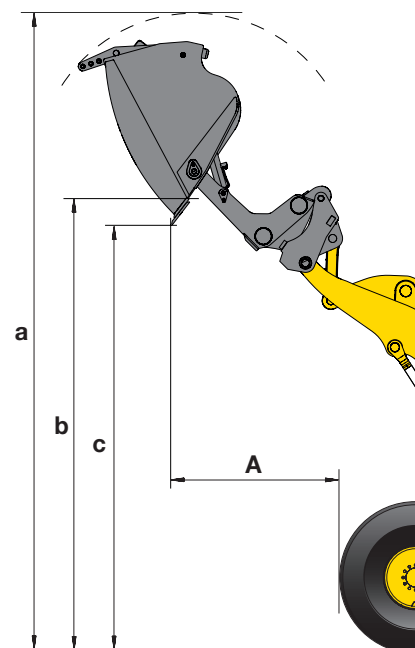
TYPICAL MATERIAL DENSITY – LOOSE (IN KG/M³)

Basalt	1.960	Gravel, unscreened	1.930	Sandstone	1.510
Bauxite, Kaolin	1.420	Gravel, dry	1.510	Slate	1.250
Earth, dry, ex store	1.510	Gravel, dry, 6-50 mm	1.690	Slag, broken	1.750
Earth, wet, excavated	1.600	Gravel, wet, 6-50 mm	2.020	Stone, crushed	1.600
Gypsum, broken	1.810	Sand, dry, loose	1.420	Clay, natural	1.660
Gypsum, crushed	1.600	Sand, damp	1.690	Clay, dry	1.480
Granite, broken	1.660	Sand, wet	1.840	Clay, wet	1.660
Limestone, broken	1.540	Sand and clay, loose	1.600	Clay and gravel, dry	1.420
Limestone, crushed	1.540	Sand and gravel, dry	1.720	Clay and gravel, wet	1.540

HIGH-DUMP BUCKET (WASTE HANDLING)

	HIGH-LIFT			
	Q863	Q864	Q865	Q866
Sales code	Q863	Q864	Q865	Q866
Bucket capacity (heaped, ISO 7546)	m ³ 3,8	3,8	3,0	3,0
Tube style spill guard	with	with	with	with
Bucket mount (direct/quick-coupler)	direct	QC	direct	QC
Material density	t/m ³ 0,8	0,8	0,8	0,8
Bucket width	mm 2.550	2.550	2.550	2.550
Bucket weight	kg 2.180	1.950	2.020	1.700
A Reach at 45°	mm 1.545	1.590	1.545	1.625
a Height top edge of bucket	mm 6.225	6.390	6.575	6.335
b Max. loading height at 45°	mm 4.480	4.640	4.920	4.700
c Dump height at 45°	mm 4.255	4.405	4.790	4.410
Static tipping load, 40° articulated (L3 tyres)	kg 7.365	6.615	5.775	5.650
Static tipping load, 40° articulated (L5 tyres)	kg 7.745	5.965	6.090	5.955
Operating weight (L3 tyres)	kg 14.005	14.225	14.015	13.895
Operating weight (L5 tyres)	kg 14.720	14.875	14.665	14.545

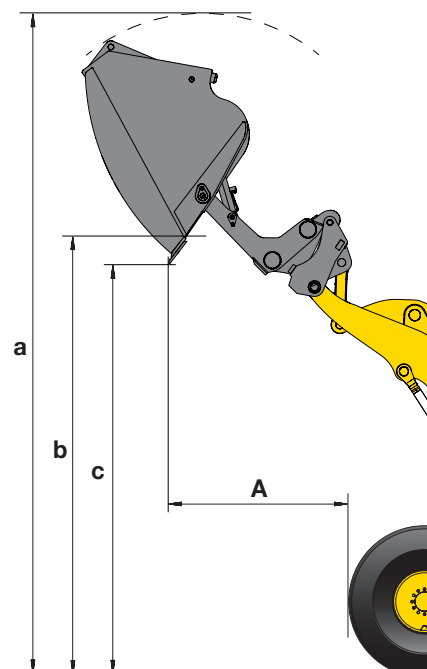
Type B, dump cylinders located outside bucket



HIGH-DUMP BUCKET (BULK MATERIALS)

	HIGH-LIFT			
	Q413	Q414	Q461	Q462
Sales code	Q413	Q414	Q461	Q462
Bucket capacity (heaped, ISO 7546)	m ³ 3,0	3,0	3,8	3,8
Tube style spill guard	without	without	without	without
Bucket mount (direct/quick-coupler)	direct	QC	direct	QC
Material density	t/m ³ 1,1	1,1	0,6	0,6
Bucket width	mm 2.550	2.550	2.550	2.550
Bucket weight	kg 2.020	1.700	2.180	1.950
A Reach at 45°	mm 1.445	1.520	1.645	1.695
a Height top edge of bucket	mm 6.145	5.910	6.655	6.815
b Max. loading height at 45°	mm 4.495	4.270	4.905	5.060
c Dump height at 45°	mm 4.365	3.980	4.680	4.830
Static tipping load, 40° articulated (L3 tyres)	kg 7.525	7.000	5.600	5.050
Static tipping load, 40° articulated (L5 tyres)	kg 7.900	7.370	5.920	5.350
Operating weight (L3 tyres)	kg 13.905	14.175	14.175	14.330
Operating weight (L5 tyres)	kg 14.560	14.825	14.825	14.980

Type B, dump cylinders located outside bucket



TYPICAL MATERIAL DENSITY (IN TON/M³) FOR LIGHT MATERIAL AND HIGH-DUMP BUCKETS

Waste glass, fine	1,4	Waste paper, loose	0,6
Waste glass, coarse	1,0	Waste paper, processed	1,0
Compost, dry	0,8	Hard coal, high density	1,2
Compost, wet	1,0	Hard coal, low density	0,9
Wood chips, saw dust	0,5	Domestic waste, loose & dry	0,8

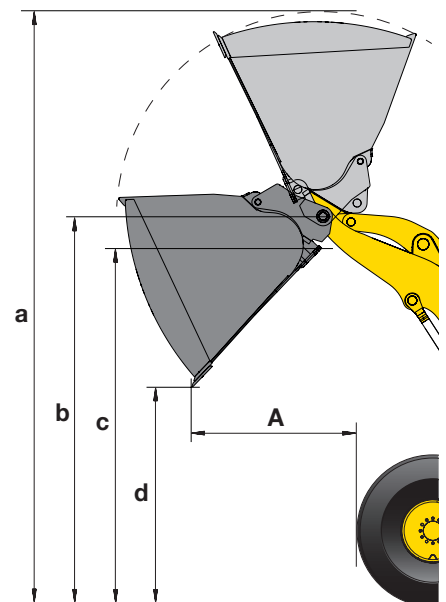
Dimensions & Performance Figures



LIGHT MATERIAL BUCKET

HIGH-LIFT

		Q364	Q854
Sales code		Q364	Q854
Bucket capacity (heaped, ISO 7546)	m ³	4,0	4,0
Tube style spill guard		without	with
Bucket mount (direct/quick-coupler)		QC	QC
Material density	t/m ³	1,0	0,8
Bucket width	mm	2.990	2.990
Bucket weight	kg	1.560	1.560
A Reach at 45°	mm	1.400	1.485
a Height top edge of bucket	mm	5.555	6.085
b Hinge pin height	mm	4.010	4.550
c Max. loading height at 45°	mm	3.630	4.160
d Dump height at 45°	mm	2.505	3.045
Static tipping load, 40° articulated (L3 tyres)	kg	8.815	7.010
Static tipping load, 40° articulated (L5 tyres)	kg	9.185	7.320
Operating weight (L3 tyres)	kg	16.490	16.665
Operating weight (L5 tyres)	kg	17.145	17.320



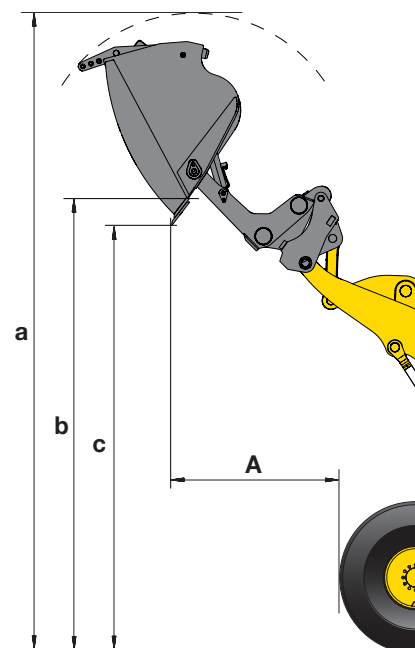
TYPICAL MATERIAL DENSITY – LOOSE (IN KG/M³)

Basalt	1.960	Gravel, unscreened	1.930	Sandstone	1.510
Bauxite, Kaolin	1.420	Gravel, dry	1.510	Slate	1.250
Earth, dry, ex store	1.510	Gravel, dry, 6-50 mm	1.690	Slag, broken	1.750
Earth, wet, excavated	1.600	Gravel, wet, 6-50 mm	2.020	Stone, crushed	1.600
Gypsum, broken	1.810	Sand, dry, loose	1.420	Clay, natural	1.660
Gypsum, crushed	1.600	Sand, damp	1.690	Clay, dry	1.480
Granite, broken	1.660	Sand, wet	1.840	Clay, wet	1.660
Limestone, broken	1.540	Sand and clay, loose	1.600	Clay and gravel, dry	1.420
Limestone, crushed	1.540	Sand and gravel, dry	1.720	Clay and gravel, wet	1.540

HIGH-DUMP BUCKET (WASTE HANDLING)

	HIGH-LIFT			
	Q863	Q864	Q865	Q866
Sales code	Q863	Q864	Q865	Q866
Bucket capacity (heaped, ISO 7546)	m ³ 4,8	4,8	3,5	3,5
Tube style spill guard	with	with	with	with
Bucket mount (direct/quick-coupler)	direct	QC	direct	QC
Material density	t/m ³ 0,8	0,8	0,8	0,8
Bucket width	mm 2.740	2.740	2.740	2.740
Bucket weight	kg 2.400	2.270	2.120	1.980
A Reach at 45°	mm 1.750	1.820	2.130	2.140
a Height top edge of bucket	mm 6.385	6.760	6.660	6.735
b Max. loading height at 45°	mm 4.350	4.615	4.995	5.005
c Dump height at 45°	mm 4.110	4.380	4.840	4.780
Static tipping load, 40° articulated (L3 tyres)	kg 8.375	8.055	7.400	6.765
Static tipping load, 40° articulated (L5 tyres)	kg 8.740	8.740	7.725	7.075
Operating weight (L3 tyres)	kg 16.810	17.200	16.825	17.085
Operating weight (L5 tyres)	kg 17.460	17.855	17.475	17.740

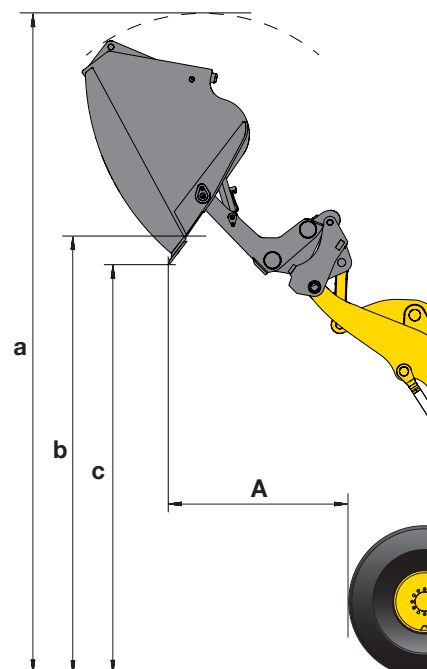
Type B, dump cylinders located outside bucket



HIGH-DUMP BUCKET (BULK MATERIALS)

	HIGH-LIFT			
	Q413	Q414	Q461	Q462
Sales code	Q413	Q414	Q461	Q462
Bucket capacity (heaped, ISO 7546)	m ³ 3,5	3,5	4,8	4,8
Tube style spill guard	without	without	without	without
Bucket mount (direct/quick-coupler)	direct	QC	direct	QC
Material density	t/m ³ 1,1	1,1	0,6	0,6
Bucket width	mm 2.740	2.740	2.740	2.740
Bucket weight	kg 2.120	1.980	2.400	2.270
A Reach at 45°	mm 1.590	1.598	1.835	1.905
a Height top edge of bucket	mm 6.120	6.195	6.925	7.300
b Max. loading height at 45°	mm 4.455	4.465	4.350	4.615
c Dump height at 45°	mm 4.300	4.240	4.650	4.920
Static tipping load, 40° articulated (L3 tyres)	kg 8.670	8.135	7.235	6.680
Static tipping load, 40° articulated (L5 tyres)	kg 9.035	8.495	7.565	7.000
Operating weight (L3 tyres)	kg 16.530	16.910	17.105	17.375
Operating weight (L5 tyres)	kg 17.180	17.565	17.625	18.030

Type B, dump cylinders located outside bucket



TYPICAL MATERIAL DENSITY (IN TON/M³) FOR LIGHT MATERIAL AND HIGH-DUMP BUCKETS

Waste glass, fine	1,4	Waste paper, loose	0,6
Waste glass, coarse	1,0	Waste paper, processed	1,0
Compost, dry	0,8	Hard coal, high density	1,2
Compost, wet	1,0	Hard coal, low density	0,9
Wood chips, saw dust	0,5	Domestic waste, loose & dry	0,8

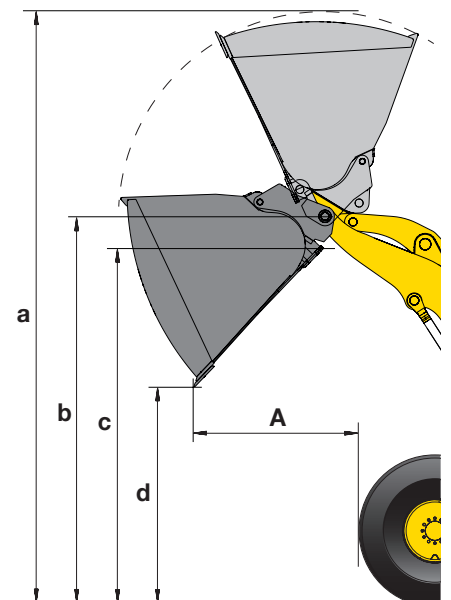
Dimensions & Performance Figures



LIGHT MATERIAL BUCKET

HIGH-LIFT

		Q364	Q854
Sales code		Q364	Q854
Bucket capacity (heaped, ISO 7546)	m ³	5,0	5,0
Tube style spill guard		without	with
Bucket mount (direct/quick-coupler)		QC	QC
Material density	t/m ³	1,0	0,8
Bucket width	mm	2.990	2.990
Bucket weight	kg	2.000	2.000
A Reach at 45°	mm	1.530	1.670
a Height top edge of bucket	mm	6.210	6.740
b Hinge pin height	mm	4.095	4.625
c Max. loading height at 45°	mm	3.720	4.250
d Dump height at 45°	mm	2.500	3.030
Static tipping load, 40° articulated (L3 tyres)	kg	12.550	9.295
Static tipping load, 40° articulated (L5 tyres)	kg	13.115	9.735
Operating weight (L3 tyres)	kg	18.900	19.895
Operating weight (L5 tyres)	kg	19.715	20.710



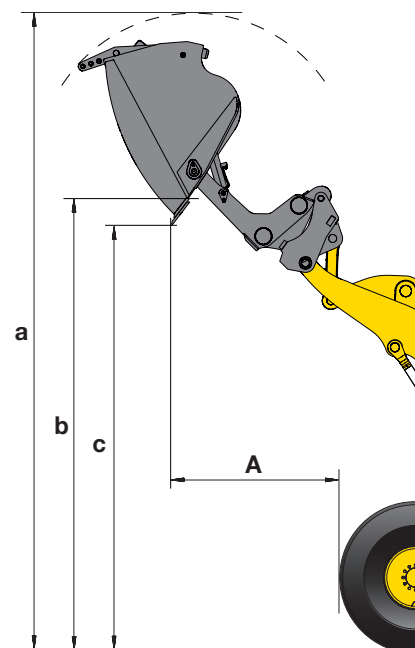
TYPICAL MATERIAL DENSITY – LOOSE (IN KG/M³)

Basalt	1.960	Gravel, unscreened	1.930	Sandstone	1.510
Bauxite, Kaolin	1.420	Gravel, dry	1.510	Slate	1.250
Earth, dry, ex store	1.510	Gravel, 6-50 mm	1.690	Slag, broken	1.750
Earth, wet, excavated	1.600	Gravel, wet, 6-50 mm	2.020	Stone, crushed	1.600
Gypsum, broken	1.810	Sand, dry, loose	1.420	Clay, natural	1.660
Gypsum, crushed	1.600	Sand, damp	1.690	Clay, dry	1.480
Granite, broken	1.660	Sand, wet	1.840	Clay, wet	1.660
Limestone, broken	1.540	Sand and clay, loose	1.600	Clay and gravel, dry	1.420
Limestone, crushed	1.540	Sand and gravel, dry	1.720	Clay and gravel, wet	1.540

HIGH-DUMP BUCKET (WASTE HANDLING)

		HIGH-LIFT			
		Q863	Q864	Q865	Q866
Sales code		Q863	Q864	Q865	Q866
Bucket capacity (heaped, ISO 7546)	m ³	6,0	6,0	4,5	4,5
Tube style spill guard		with	with	with	with
Bucket mount (direct/quick-coupler)		direct	QC	direct	QC
Material density	t/m ³	0,8	0,8	0,8	0,8
Bucket width	mm	2.990	2.990	2.990	2.990
Bucket weight	kg	3.000	2.800	2.530	2.470
A Reach at 45°	mm	1.600	1.870	1.815	2.065
a Height top edge of bucket	mm	6.665	7.010	7.060	7.255
b Max. loading height at 45°	mm	4.470	4.615	5.210	5.235
c Dump height at 45°	mm	4.175	4.395	4.985	5.075
Static tipping load, 40° articulated (L3 tyres)	kg	12.555	12.115	9.295	8.485
Static tipping load, 40° articulated (L5 tyres)	kg	13.130	12.670	9.725	8.910
Operating weight (L3 tyres)	kg	19.360	19.910	19.890	20.365
Operating weight (L5 tyres)	kg	20.185	20.725	20.700	21.180

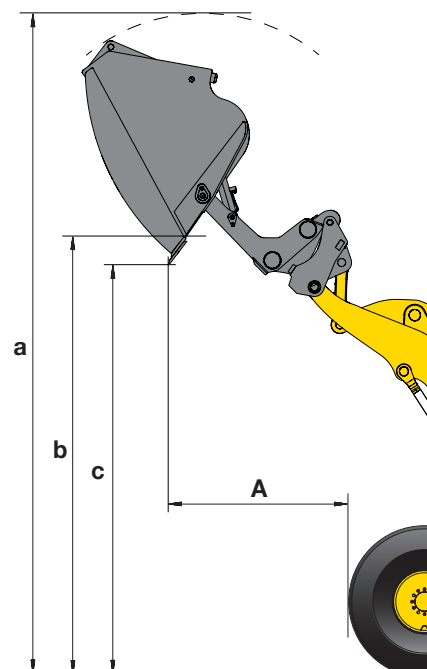
Type B, dump cylinders located outside bucket



HIGH-DUMP BUCKET (BULK MATERIALS)

		HIGH-LIFT			
		Q413	Q414	Q461	Q462
Sales code		Q413	Q414	Q461	Q462
Bucket capacity (heaped, ISO 7546)	m ³	4,5	4,5	6,0	6,0
Tube style spill guard		without	without	without	without
Bucket mount (direct/quick-coupler)		direct	QC	direct	QC
Material density	t/m ³	1,1	1,1	0,6	0,6
Bucket width	mm	2.990	2.990	2.990	2.990
Bucket weight	kg	2.530	2.470	3.000	2.800
A Reach at 45°	mm	1.675	1.925	1.740	2.010
a Height top edge of bucket	mm	6.530	6.725	7.195	7.540
b Max. loading height at 45°	mm	4.680	4.715	4.990	5.135
c Dump height at 45°	mm	4.455	4.547	4.705	4.925
Static tipping load, 40° articulated (L3 tyres)	kg	12.435	11.570	8.470	8.350
Static tipping load, 40° articulated (L5 tyres)	kg	12.985	12.105	8.895	8.785
Operating weight (L3 tyres)	kg	18.895	19.370	21.160	20.695
Operating weight (L5 tyres)	kg	19.710	20.185	21.175	21.510

Type B, dump cylinders located outside bucket



TYPICAL MATERIAL DENSITY (IN TON/M³) FOR LIGHT MATERIAL AND HIGH-DUMP BUCKETS

Waste glass, fine	1,4	Waste paper, loose	0,6
Waste glass, coarse	1,0	Waste paper, processed	1,0
Compost, dry	0,8	Hard coal, high density	1,2
Compost, wet	1,0	Hard coal, low density	0,9
Wood chips, saw dust	0,5	Domestic waste, loose & dry	0,8

Model Range

WA200-8	WA270-8	WA320-8	WA380-8	WA470-8
ENGINE POWER 95,2 kW / 128 HP	ENGINE POWER 115 kW / 153 HP	ENGINE POWER 127 kW / 170 HP	ENGINE POWER 143 kW / 192 HP	ENGINE POWER 204 kW / 273 HP
OPERATING WEIGHT 11.865 - 14.000 kg	OPERATING WEIGHT 12.975 - 14.980 kg	OPERATING WEIGHT 15.700 - 18.030 kg	OPERATING WEIGHT 18.155 - 21.510 kg	OPERATING WEIGHT 24.170 - 25.670 kg
BUCKET CAPACITY 1,9 - 3,5 m ³	BUCKET CAPACITY 2,2 - 3,8 m ³	BUCKET CAPACITY 2,6 - 4,8 m ³	BUCKET CAPACITY 3,2 - 6,0 m ³	BUCKET CAPACITY 4,1 - 7,0 m ³

Equipment for Waste & Recycling

SAFETY EQUIPMENT

Lift cylinder protection guards	○
Bucket cylinder protection guard	○
Underbody protection for front frame (WA270 - WA470)	○
Underbody protection for rear frame (WA270 - WA320)*	○
Rubber protections in the articulation area (WA270 - WA470)	○
Front window guard (fixed and tiltable)	○
Lamp protection guards	○
Tyre valve protection	○
Bucket edge guard (red/white striped)	○
Laminated front screen, 20 mm	○
Lift cylinder hose protection	○

* standard WA380 - WA470

TRANSMISSION AND BRAKES

Constant speed control in 1st speed range (WA200 - WA320)	●
Creeping function: 1 - 13 km/h speed control (WA200 - WA320)	●

Equipment availability depends on model.

All attachments available for quick-coupler mount or as pin-on version.
Further work equipment, accessories and special application arrangements on request.

Komatsu wheel loaders are equipped in accordance with the safety regulations of the machinery guidelines 89/392 EWG ff and EN474.

Your Komatsu partner:

HYDRAULIC SYSTEM

Multi-function lever with add. 3rd spool lever control	●
Multi-function lever with add. 3rd and 4th spool lever control	○
Electrical switching of 3rd hydr. function into 2 circuits (WA380 only)	○
2 lever actuation (WA380 - WA470)	○
3 lever actuation	○
Gasket protection for cylinder seals for lifting cylinders, bucket cylinder and steering cylinders (WA320 - WA470)	○

ELECTRICAL SYSTEM

Sealed alternator 160 A with air intake filtration	○
--	---

WORK EQUIPMENT & ATTACHMENTS

High Lift boom	○
Super High Lift boom (only for WA380-8)	○
Light material buckets	○
High-dump buckets	○
Waste handling buckets	○
Waste handling mulch grapple buckets	○
Waste handling high-dump buckets	○

SERVICE AND MAINTENANCE

Wide core radiator, radiator fan with automatic reversing function	●
Automatic central lubrication system	●
Turbo II pre-cleaner	○
Pre-filter for engine air intake (filter grids)	○
Pre-filter for cooling unit	○
One-piece hydraulic oil cooler (WA320)	○
Teflon coated cooling components for water cooler, oil cooler, air-to-air cooler and air conditioner condenser	○

CHASSIS AND TYRES

L5 traction profile pattern tyres	○
L5 cut-resistant tyres	○
Solid tyres	○

LIGHTING SYSTEM

LED working lights	○
Xenon working lights	○
Roof rail	○
Add. working lights for roof rail	○

Further equipment on request

- standard equipment
- optional equipment

KOMATSU

**Komatsu Europe
International N.V.**

Mechelsesteenweg 586
B-1800 VILVOORDE (BELGIUM)
Tel. +32-2-255 24 11
Fax +32-2-252 19 81
www.komatsu.eu

VENSS03907 07/2020

KOMATSU is a trademark of Komatsu Ltd. Japan.

Printed in Europe – This specification sheet may contain attachments and optional equipment that are not available in your area.
Please consult your local Komatsu distributor for those items you may require. Materials and specifications are subject to change without notice.