

User's Manual

Product Name: Wireless LAN Modem
Model Number: BulletM2-HP

Please print this document in A4 size.

KOMATSU

Table of Contents

1	PREFACE.....	2
1.1	<i>DISCLAIMER</i>	2
1.2	<i>INTENDED USAGE</i>	2
1.3	<i>COMPLIANCE INFORMATION</i>	2
2	Document Information.....	2
3	Specification of Hardware.....	3
3.1	<i>Outline Dimensions and Mass</i>	3
3.2	<i>Maximum Radio-Frequency Power</i>	3
4	Compliance Notice.....	4
4.1	<i>European Union</i>	4
4.2	<i>Great Britain</i>	7
4.3	<i>The Federal Communication Commission</i>	8
4.4	<i>Canada (ISED)</i>	9
4.5	<i>Argentina</i>	9
4.6	<i>Brazil</i>	10
4.7	<i>United Mexican States</i>	10
4.8	<i>Thailand</i>	11
4.9	<i>Israel</i>	10
4.10	<i>UAE</i>	10

1 PREFACE

1.1 DISCLAIMER

Komatsu Ltd. reserves the right to make modifications, additions, and deletions to this document due to typographical errors, inaccurate information, or improvements to programs and/or equipment at any time and without notice. Such changes will, nevertheless, be incorporated into new editions of this document.

1.2 INTENDED USAGE

This manual is intended for anyone who owns or intends to operate the Wireless Radio Access Point "BulletM2-HP" in the first place and provides appropriate procedures for those engaged in safe handling.

For details on how to operate, please refer to the user manual of the machine.

1.3 COMPLIANCE INFORMATION

Please read the section "Compliance Notice" for locale-specific information regarding labelling, safety related statements.

2 Document Information

Revision History

Revision	Date	Author(s)	Description/comment
1	2023/9/13	E. Masutani	Publication of the First Edition
2	2023/12/22	E. Masutani	Brazil, EU, UK added
3	2024/1/17	E. Masutani	Israel added
4	2024/2/15	E. Masutani	UAE added
5	2024/4/10	E. Masutani	Text Attributes changed
6	2024/6/17	Y. Abe	FCC, ISED, and Argentina added
7	2024/6/28	Y. Abe	United Mexican States added
8	2024/7/22	T. Kawakami	UAE revised

3 Specification of Hardware

3.1 Outline Dimensions and Mass

(1) Dimensions of Outline (Dimensions are in millimeters)

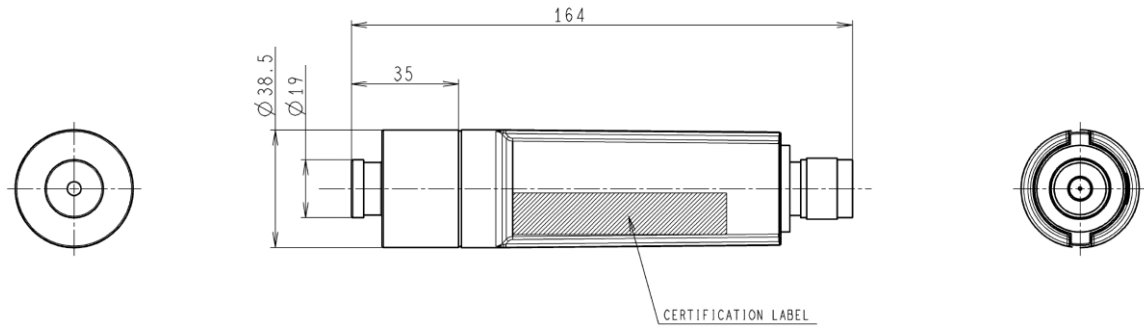


Figure 1 BulletM2-HP Dimensions

(2) Mass: 0.13 [kilograms]

3.2 Maximum Radio-Frequency Power

Frequency [MHz]	Max Power [dBm]
2412 - 2462	20

4 Compliance Notice

4.1 European Union



- Manufacturer/Importer

Hereby, the Manufacturer/Importer:

The Manufacturer	The Importer
Ubiquiti Inc. 685 Third Avenue, New York, NY 10017, USA	KOMATSU EUROPE INT. Mechelsesteenweg 586 B-1800 Vilvoorde, Belgium KOMATSU

- Safety

Please refer to the vehicle manual for information on safety.

- Simplified Declaration of Conformity

[EN] English	Hereby, Ubiquiti Inc. declares that the radio equipment type BulletM2-HP is in compliance with Directive 2014/53/EU. The full text of the EU declaration of conformity is available at the following internet address: https://www.komatsu.eu/komtrax-radio-equipment-directive
[BG] Bulgarian	С настоящото Ubiquiti Inc. декларира, че този тип радиосъоръжение BulletM2-HP е в съответствие с Директива 2014/53/ЕС. Цялостният текст на ЕС декларацията за съответствие може да се намери на следния интернет адрес: https://www.komatsu.eu/komtrax-radio-equipment-directive
[CS] Czech	Tímto Ubiquiti Inc. prohlašuje, že typ rádiového zařízení BulletM2-HP je v souladu se směrnicí 2014/53/EU. Úplné znění EU prohlášení o shodě je k dispozici na této internetové adrese: https://www.komatsu.eu/komtrax-radio-equipment-directive
[DA] Danish	Hermed erklærer Ubiquiti Inc. , at radioudstyrstypen BulletM2-HP er overensstemmelse med direktiv 2014/53/EU. EU-overensstemmelseserklæringens fulde tekst kan findes på følgende internetadresse: https://www.komatsu.eu/komtrax-radio-equipment-directive
[DE] German	Hiermit erkläre Ubiquiti Inc. , dass der Funkanlagentyp BulletM2-HP der Richtlinie 2014/53/EU entspricht. Der vollständige Text der EU-Konformitätserklärung ist unter der folgenden Internetadresse verfügbar: https://www.komatsu.eu/komtrax-radio-equipment-directive
[ET] Estonian	Käesolevaga deklareerib Ubiquiti Inc. , et käesolev raadioseadme tüüp BulletM2-HP vastab direktiivi 2014/53/EL nõuetele. ELi vastavusdeklaratsiooni täielik tekst on kättesaadav järgmisel internetiaadressil: https://www.komatsu.eu/komtrax-radio-equipment-directive

[EL] Greek	<p>Με την παρούσα ο/η Ubiquiti Inc., δηλώνει ότι ο ραδιοεξοπλισμός BulletM2-HP πληροί την οδηγία 2014/53/ΕΕ.</p> <p>Το πλήρες κείμενο της δήλωσης συμμόρφωσης ΕΕ διατίθεται στην ακόλουθη ιστοσελίδα στο διαδίκτυο: https://www.komatsu.eu/komtrax-radio-equipment-directive</p>
[ES] Spanish	<p>Por la presente, Ubiquiti Inc. declara que el tipo de equipo radioeléctrico BulletM2-HP es conforme con la Directiva 2014/53/UE.</p> <p>El texto completo de la declaración UE de conformidad está disponible en la dirección Internet siguiente: https://www.komatsu.eu/komtrax-radio-equipment-directive</p>
[FR] French	<p>Le soussigné, Ubiquiti Inc., déclare que l'équipement radioélectrique du type BulletM2-HP est conforme à la directive 2014/53/UE.</p> <p>Le texte complet de la déclaration UE de conformité est disponible à l'adresse internet suivante: https://www.komatsu.eu/komtrax-radio-equipment-directive</p>
[IT] Italian	<p>Il fabbricante, Ubiquiti Inc., dichiara che il tipo di apparecchiatura radio BulletM2-HP è conforme alla direttiva 2014/53/UE.</p> <p>Il testo completo della dichiarazione di conformità UE è disponibile al seguente indirizzo Internet: https://www.komatsu.eu/komtrax-radio-equipment-directive</p>
[LV] Latvian	<p>Ar šo Ubiquiti Inc. deklarē, ka radioiekārta BulletM2-HP atbilst Direktīvai 2014/53/ES.</p> <p>Pilns ES atbilstības deklarācijas teksts ir pieejams šādā interneta vietnē: https://www.komatsu.eu/komtrax-radio-equipment-directive</p>
[LT] Lithuanian	<p>Aš, Ubiquiti Inc., patvirtinu, kad radijo įrenginių tipas BulletM2-HP atitinka Direktyvą 2014/53/ES.</p> <p>Visas ES atitikties deklaracijos tekstas prieinamas šiuo interneto adresu: https://www.komatsu.eu/komtrax-radio-equipment-directive</p>
[HR] Croatian	<p>Ubiquiti Inc. ovime izjavljuje da je radijska oprema tipa BulletM2-HP u skladu s Direktivom 2014/53/EU.</p> <p>Cjeloviti tekst EU izvještaja o sukladnosti dostupan je na sljedećoj internetskoj adresi: https://www.komatsu.eu/komtrax-radio-equipment-directive</p>
[HU] Hungarian	<p>Ubiquiti Inc. igazolja, hogy a BulletM2-HP típusú rádióberendezés megfelel a 2014/53/EU irányelvnek.</p> <p>Az EU-megfelelőségi nyilatkozat teljes szövege elérhető a következő internetes címen: https://www.komatsu.eu/komtrax-radio-equipment-directive</p>
[MT] Maltese	<p>B'dan, Ubiquiti Inc., niddikjara li dan it-tip ta' tagħmir tar-radju BulletM2-HP huwa konformi mad-Direttiva 2014/53/UE.</p> <p>It-test kollu tad-dikjarazzjoni ta' konformità tal-UE huwa disponibbli f'dan l-indirizz tal-Internet li ġej: https://www.komatsu.eu/komtrax-radio-equipment-directive</p>
[NL] Dutch	<p>Hierbij verklaar ik, Ubiquiti Inc., dat het type radioapparatuur BulletM2-HP conform is met Richtlijn 2014/53/EU.</p> <p>De volledige tekst van de EU-conformiteitsverklaring kan worden geraadpleegd op het volgende internetadres: https://www.komatsu.eu/komtrax-radio-equipment-directive</p>
[PL] Polish	<p>Ubiquiti Inc. niniejszym oświadcza, że typ urządzenia radiowego BulletM2-HP jest zgodny z dyrektywą 2014/53/UE.</p> <p>Pełny tekst deklaracji zgodności UE jest dostępny pod następującym adresem internetowym: https://www.komatsu.eu/komtrax-radio-equipment-directive</p>

[PT] Portuguese	<p>O(a) abaixo assinado(a) Ubiquiti Inc. declara que o presente tipo de equipamento de rádio BulletM2-HP está em conformidade com a Diretiva 2014/53/UE.</p> <p>O texto integral da declaração de conformidade está disponível no seguinte endereço de Internet: https://www.komatsu.eu/komtrax-radio-equipment-directive</p>
[RO] Romanian	<p>Prin prezenta, Ubiquiti Inc. declară că tipul de echipamente radio BulletM2-HP este în conformitate cu Directiva 2014/53/UE.</p> <p>Textul integral al declarației UE de conformitate este disponibil la următoarea adresă internet: https://www.komatsu.eu/komtrax-radio-equipment-directive</p>
[SK] Slovak	<p>Ubiquiti Inc. týmto vyhlasuje, že rádiové zariadenie typu BulletM2-HP je v súlade so smernicou 2014/53/EÚ.</p> <p>Úplné EÚ vyhlásenie o zhode je k dispozícii na tejto internetovej adrese: https://www.komatsu.eu/komtrax-radio-equipment-directive</p>
[SL] Slovenian	<p>Ubiquiti Inc. potrjuje, da je tip radijske opreme BulletM2-HP skladen z Direktivo 2014/53/EU.</p> <p>Celotno besedilo izjave EU o skladnosti je na voljo na naslednjem spletnem naslovu: https://www.komatsu.eu/komtrax-radio-equipment-directive</p>
[FI] Finnish	<p>Ubiquiti Inc. vakuuttaa, että radiolaitetyyppi BulletM2-HP on direktiivin 2014/53/EU mukainen.</p> <p>EU-vaatimustenmukaisuusvakuutuksen täysimittainen teksti on saatavilla seuraavassa internetosoitteessa: https://www.komatsu.eu/komtrax-radio-equipment-directive</p>
[SV] Swedish	<p>Härmed försäkrar Ubiquiti Inc. att denna typ av radioutrustning BulletM2-HP överensstämmer med direktiv 2014/53/EU.</p> <p>Den fullständiga texten till EU-försäkran om överensstämmelse finns på följande webbadress: https://www.komatsu.eu/komtrax-radio-equipment-directive</p>

4.2 Great Britain



- Manufacturer/Importer

Hereby, the Manufacturer/Importer:

The Manufacturer	The Importer
Ubiquiti Inc. 685 Third Avenue, New York, NY 10017, USA	KOMATSU UK Ltd. Durham Road, Birtley, Chester-le-Street, Co. Durham DH3 2QX, UK KOMATSU

- Safety

Please refer to the vehicle manual for information on safety.

- Simplified Declaration of Conformity

Hereby, **Ubiquiti Inc.** declares that the radio equipment type **BulletM2-HP** is in compliance with Radio Equipment Regulations 2017.

The full text of the declaration of conformity is also available at the following internet address:

<https://www.komatsu.eu/komtrax-radio-equipment-directive>

4.3 The Federal Communication Commission

FCC ID: SWX-M2BW

FCC CAUTION

Changes or modifications not expressly approved by the party responsible for compliance could void the user's authority to operate the equipment.

This device complies with part 15 of the FCC Rules. Operation is subject to the following two conditions: (1) This device may not cause harmful interference, and (2) this device must accept any interference received, including interference that may cause undesired operation.

This transmitter must not be co-located or operated in conjunction with any other antenna or transmitter.

This equipment complies with FCC radiation exposure limits set forth for an uncontrolled environment and meets the FCC radio frequency (RF) Exposure Guidelines. This equipment should be installed and operated keeping the radiator at least 20cm or more away from person's body.

Note: This equipment has been tested and found to comply with the limits for a Class A digital device, pursuant to part 15 of the FCC Rules. These limits are designed to provide reasonable protection against harmful interference when the equipment is operated in a commercial environment. This equipment generates, uses, and can radiate radio frequency energy and, if not installed and used in accordance with the instruction manual, may cause harmful interference to radio communications. Operation of this equipment in a residential area is likely to cause harmful interference in which case the user will be required to correct the interference at his own expense.

4.4 Canada (ISED)

IC : 6545A-M2BW

- English

This device contains licence-exempt transmitter(s)/receiver(s) that comply with Innovation, Science and Economic Development Canada's licence-exempt RSS(s). Operation is subject to the following two conditions:

1. This device may not cause interference.
2. This device must accept any interference, including interference that may cause undesired operation of the device.

This equipment complies with ISED radiation exposure limits set forth for an uncontrolled environment and meets RSS-102 of the ISED radio frequency (RF) Exposure rules. This equipment should be installed and operated keeping the radiator at least 20cm or more away from person's body.

- French

L'émetteur/récepteur exempt de licence contenu dans le présent appareil est conforme aux CNR d'Innovation, Sciences et Développement économique Canada applicables aux appareils radio exempts de licence . L'exploitation est autorisée aux deux conditions suivantes

1. L'appareil ne doit pas produire de brouillage
2. L'appareil doit accepter tout brouillage radioélectrique subi , même si le brouillage est susceptible d'en compromettre le Fonctionnement.

Cet équipement est conforme aux limites d'exposition aux rayonnements énoncées pour un environnement non contrôlé et respecte les règles d'exposition aux fréquences radioélectriques (RF) CNR-102 de l'ISDE. Cet équipement doit être installé et utilisé en gardant une distance de 20 cm ou plus entre le radiateur et le corps humain.

4.5 Argentina

Modelo: BulletM2-HP

R!C-23550

4.6 Brazil

Modelo: BulletM2-HP



13848-22-08356

Este equipamento não tem direito à proteção contra interferência prejudicial e não pode causar interferência em sistemas devidamente autorizados.

Este produto está homologado pela Anatel, de acordo com os procedimentos regulamentados pela Resolução nº 715/2019 e atende aos requisitos técnicos aplicados.

Site da ANATEL: <https://www.gov.br/anatel/pt-br>

4.7 United Mexican States

Modelo: BulletM2-HP

La operación de este equipo está sujeta a las siguientes dos condiciones: (1) es posible que este equipo o dispositivo no cause interferencia perjudicial y (2) este equipo o dispositivo debe aceptar cualquier interferencia, incluyendo la que pueda causar su operación no deseada.

4.8 Israel

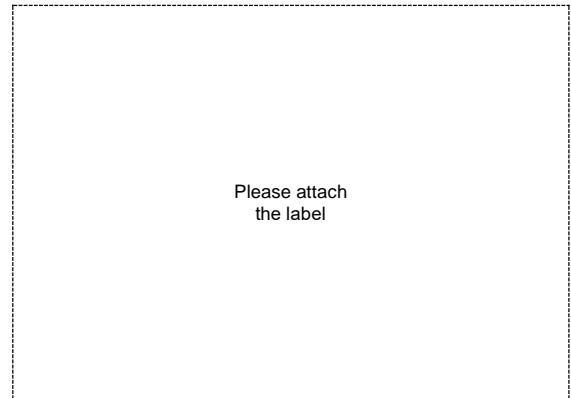
מספר אישור התאמה מטעם משרד התקשורת: 55-11632

חל איסור לבצע פעולות במכשיר שיש בהן כדי לשנות את תכונותיו האלחוטיות של המכשיר, ובכלל זה שינויי תוכנה, החלפת אנטנה מקורית או הוספת אפשרות לחיבור לאנטנה חיצונית, בלא קבלת אישור משרד התקשורת, בשל החשש להפרעות אלחוטיות.

4.9 UAE



4.10 Thailand



เครื่องโทรคมนาคมและอุปกรณ์นี้มีความสอดคล้องตามมาตรฐานหรือข้อกำหนดทางเทคนิคของ กสทช.

(This telecommunication equipment and equipment conforms to the standard or technical requirements of the NBTC)