

Data Communicator
User's Manual

Model Name TC730

Model Number KDTC730

KOMATSU

Table of Contents

1	PREFACE	2
1.1	<i>DISCLAIMER</i>	2
1.2	<i>INTENDED USAGE</i>	2
1.3	<i>ANCILLARY INFORMATION</i>	FOUT! BLADWIJZER NIET GEDEFINIEERD.
2	Document Information	3
	REVISION HISTORY	3
3	Specification of Hardware	3
3.1	OUTLINE DIMENSIONS AND MASS	3
4	Compliance Notice	4
4.1	EUROPEAN UNION	4
4.2	GREAT BRITAIN	6
4.3	SERBIA	7
4.4	MAURITANIA	7

1 PREFACE

1.1 DISCLAIMER

Komatsu Ltd. reserves the right to make modifications, additions, and deletions to this document due to typographical errors, inaccurate information, or improvements to programs and/or equipment at any time and without notice. Such changes will, nevertheless, be incorporated into new editions of this document.

1.2 INTENDED USAGE

This manual is intended for anyone who owns or intends to operate Data Communicator 'KDTC730' in the first place and provides appropriate procedures for those engaged in safe handling. For details on how to operate, please refer to the user manual of the machine.

1.3 COMPLIANCE INFORMATION

Please read the section "Compliance Notice" for locale-specific information regarding labelling, safety related statements.

2 Document Information

Revision History

Revision	Date	Author(s)	Description/comment
Revision_v1	2023/2/16	E. Masutani	Initial Draft
Revision_v2	2023/12/15	E. Masutani	Mauritania added

3 Specification of Hardware

3.1 Outline Dimensions and Mass

Dimensions of Outline (Dimensions are in millimeters)

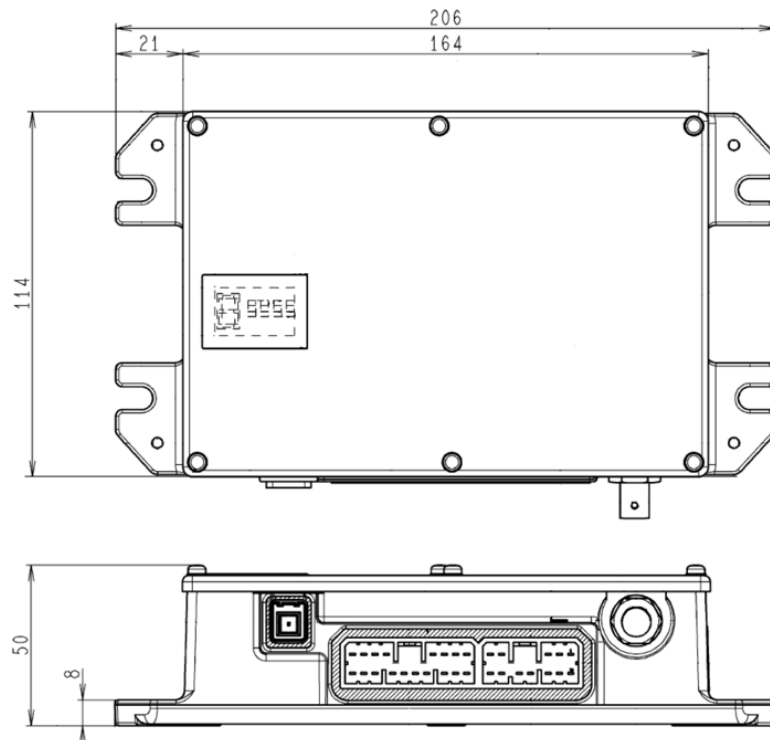


Figure 1 KDTC730 Dimensions

Mass

0.85 [kilograms]

4 Compliance Notice

4.1 European Union

MANUFACTURER/AUTHORIZED REPRESENTATIVE

Hereby, the Manufacturer/Authorized representative:

The Manufacturer	The Authorized representative
KOMATSU Ltd. 2-3-6 Akasaka Minato-ku, Tokyo 107-8414 Japan	KOMATSU EUROPE INT. Mechelsesteenweg 586 B-1800 Vilvoorde Belgium

SIMPLIFIED DECLARATION OF CONFORMITY

[EN] English	<p>Hereby, Komatsu Ltd. declares that the radio equipment type KDTC730 is in compliance with Directive 2014/53/EU.</p> <p>The full text of the EU declaration of conformity is available at the following internet address: https://www.komatsu.eu/komtrax-radio-equipment-directive</p>
[BG] Bulgarian	<p>С настоящото Komatsu Ltd. декларира, че този тип радиосъоръжение KDTC730 е в съответствие с Директива 2014/53/ЕС.</p> <p>Цялостният текст на ЕС декларацията за съответствие може да се намери на следния интернет адрес: https://www.komatsu.eu/komtrax-radio-equipment-directive</p>
[CS] Czech	<p>Tímto Komatsu Ltd. prohlašuje, že typ rádiového zařízení KDTC730 je v souladu se směrnicí 2014/53/EU. Úplné znění EU prohlášení o shodě je k dispozici na této internetové adrese: https://www.komatsu.eu/komtrax-radio-equipment-directive</p>
[DA] Danish	<p>Hermed erklærer Komatsu Ltd., at radioudstyrstypen KDTC730 er overensstemmelse med direktiv 2014/53/EU.</p> <p>EU-overensstemmelseserklæringens fulde tekst kan findes på følgende internetadresse: https://www.komatsu.eu/komtrax-radio-equipment-directive</p>
[DE] German	<p>Hiermit erkläre Komatsu Ltd., dass der Funkanlagentyp KDTC730 der Richtlinie 2014/53/EU entspricht. Der vollständige Text der EU-Konformitätserklärung ist unter der folgenden Internetadresse verfügbar: https://www.komatsu.eu/komtrax-radio-equipment-directive</p>
[ET] Estonian	<p>Käesolevaga deklareerib Komatsu Ltd., et käesolev raadioseadme tüüp KDTC730 vastab direktiivi 2014/53/EL nõuetele.</p> <p>Eli vastavusdeklaratsiooni täielik tekst on kättesaadav järgmisel internetiaadressil: https://www.komatsu.eu/komtrax-radio-equipment-directive</p>
[EL] Greek	<p>Με την παρούσα ο/η Komatsu Ltd., δηλώνει ότι ο ραδιοεξοπλισμός KDTC730 πληροί την οδηγία 2014/53/ΕΕ.</p> <p>Το πλήρες κείμενο της δήλωσης συμμόρφωσης ΕΕ διατίθεται στην ακόλουθη ιστοσελίδα στο διαδίκτυο: https://www.komatsu.eu/komtrax-radio-equipment-directive</p>
[ES] Spanish	<p>Por la presente, Komatsu Ltd. declara que el tipo de equipo radioeléctrico KDTC730 es conforme con la Directiva 2014/53/UE.</p> <p>El texto completo de la declaración UE de conformidad está disponible en la dirección Internet siguiente: https://www.komatsu.eu/komtrax-radio-equipment-directive</p>
[FR] French	<p>Le soussigné, Komatsu Ltd., déclare que l'équipement radioélectrique du type KDTC730 est conforme à la directive 2014/53/UE.</p> <p>Le texte complet de la déclaration UE de conformité est disponible à l'adresse internet suivante: https://www.komatsu.eu/komtrax-radio-equipment-directive</p>
[IT] Italian	<p>Il fabbricante, Komatsu Ltd., dichiara che il tipo di apparecchiatura radio KDTC730 è conforme alla direttiva 2014/53/UE.</p> <p>Il testo completo della dichiarazione di conformità UE è disponibile al seguente indirizzo Internet: https://www.komatsu.eu/komtrax-radio-equipment-directive</p>
[LV] Latvian	<p>Ar šo Komatsu Ltd. deklarē, ka radioiekārta KDTC730 atbilst Direktīvai 2014/53/ES.</p> <p>Pilns ES atbilstības deklarācijas teksts ir pieejams šādā interneta vietnē: https://www.komatsu.eu/komtrax-radio-equipment-directive</p>
[LT] Lithuanian	<p>Aš, Komatsu Ltd., patvirtinu, kad radijo įrenginių tipas KDTC730 atitinka Direktyvą 2014/53/ES.</p>

Lithuanian	Visas ES atitikties deklaracijos tekstas prieinamas šiuo interneto adresu: https://www.komatsu.eu/komtrax-radio-equipment-directive
[HR] Croatian	Komatsu Ltd. ovime izjavljuje da je radijska oprema tipa KDTC730 u skladu s Direktivom 2014/53/EU. Cjeloviti tekst EU izjave o sukladnosti dostupan je na sljedećoj internetskoj adresi: https://www.komatsu.eu/komtrax-radio-equipment-directive
[HU] Hungarian	Komatsu Ltd. igazolja, hogy a KDTC730 típusú rádióberendezés megfelel a 2014/53/EU irányelvnek. Az EU-megfelelőségi nyilatkozat teljes szövege elérhető a következő internetes címen: https://www.komatsu.eu/komtrax-radio-equipment-directive
[MT] Maltese	B'dan, Komatsu Ltd. , niddikjara li dan it-tip ta' tagħmir tar-radju KDTC730 huwa konformi mad-Direttiva 2014/53/UE. It-test kollu tad-dikjarazzjoni ta' konformità tal-UE huwa disponibbli f'dan l-indirizz tal-Internet li ġej: https://www.komatsu.eu/komtrax-radio-equipment-directive
[NL] Dutch	Hierbij verklaar ik, Komatsu Ltd. , dat het type radioapparatuur KDTC730 conform is met Richtlijn 2014/53/EU. De volledige tekst van de EU-conformiteitsverklaring kan worden geraadpleegd op het volgende internetadres: https://www.komatsu.eu/komtrax-radio-equipment-directive
[PL] Polish	Komatsu Ltd. niniejszym oświadcza, że typ urządzenia radiowego KDTC730 jest zgodny z dyrektywą 2014/53/UE. Pełny tekst deklaracji zgodności UE jest dostępny pod następującym adresem internetowym: https://www.komatsu.eu/komtrax-radio-equipment-directive
[PT] Portuguese	O(a) abaixo assinado(a) Komatsu Ltd. declara que o presente tipo de equipamento de rádio KDTC730 está em conformidade com a Diretiva 2014/53/UE. O texto integral da declaração de conformidade está disponível no seguinte endereço de Internet: https://www.komatsu.eu/komtrax-radio-equipment-directive
[RO] Romanian	Prin prezenta, Komatsu Ltd. declară că tipul de echipamente radio KDTC730 este în conformitate cu Directiva 2014/53/UE. Textul integral al declarației UE de conformitate este disponibil la următoarea adresă internet: https://www.komatsu.eu/komtrax-radio-equipment-directive
[SK] Slovak	Komatsu Ltd. týmto vyhlasuje, že rádiové zariadenie typu KDTC730 je v súlade so smernicou 2014/53/EÚ. Úplné EÚ vyhlásenie o zhode je k dispozícii na tejto internetovej adrese: https://www.komatsu.eu/komtrax-radio-equipment-directive
[SL] Slovenian	Komatsu Ltd. potrjuje, da je tip radijske opreme KDTC730 skladen z Direktivo 2014/53/EU. Celotno besedilo izjave EU o skladnosti je na voljo na naslednjem spletnem naslovu: https://www.komatsu.eu/komtrax-radio-equipment-directive
[FI] Finnish	Komatsu Ltd. vakuuttaa, että radiolaitetyyppi KDTC730 on direktiivin 2014/53/EU mukainen. EU-vaatimustenmukaisuusvakuutuksen täysimittainen teksti on saatavilla seuraavassa internetosoitteessa: https://www.komatsu.eu/komtrax-radio-equipment-directive
[SV] Swedish	Härmed försäkras Komatsu Ltd. att denna typ av radioutrustning KDTC730 överensstämmer med direktiv 2014/53/EU. Den fullständiga texten till EU-försäkran om överensstämmelse finns på följande webbadress: https://www.komatsu.eu/komtrax-radio-equipment-directive

Maximum radio-frequency power

Frequency (MHz)	Max Power (W)
1616 – 1626.5	7

4.2 Great Britain

**Manufacturer/Authorized Representative**

Hereby, the Manufacturer/Authorized representative:

The Manufacturer	The Authorized representative
KOMATSU Ltd. 2-3-6 Akasaka Minato-ku, Tokyo 107-8414 Japan	KOMATSU UK Ltd. Durham Road, Birtley, Chester-le-Street, Co. Durham DH3 2QX, UK

SIMPLIFIED DECLARATION OF CONFORMITY

Hereby, **Komatsu Ltd.** declares that the radio equipment type **KDTC730** is in compliance with the relevant statutory requirements.

STATUTORY INSTRUMENTS 2017 No. 1206 TELECOMMUNICATIONS (The Radio Equipment Regulations 2017)

The full text of the declaration of conformity is also available at the following internet address:

<https://www.komatsu.eu/komtrax-radio-equipment-directive>

MAXIMUM RADIO-FREQUENCY POWER

Frequency (MHz)	Max Power (W)
1616 – 1626.5	7

4.3 Serbia



USAGE INSTRUCTION

For details on the intended use, please refer to the user manual of the machine.

TECHNICAL CHARACTERISTICS

Refer to section 3 “Specification of Hardware”

4.4 Mauritania

<p>AGRÉÉ PAR L'ARE MAURITANIE Numéro d'agrément 1375/ARE/2023 Date d'agrément 27/11/2023</p>
