

Data Communicator
User's Manual

Model Name TC330

Model Number KDTC330

KOMATSU

Table of Contents

1	PREFACE	1
1.1	DISCLAIMER.....	1
1.2	INTENDED USAGE.....	1
1.3	COMPLIANCE INFORMATION.....	1
2	Document Information	2
	REVISION HISTORY.....	2
3	Specification of Hardware	2
3.1	OUTLINE DIMENSIONS AND MASS.....	2
4	Compliance Notice.....	3
4.1	EUROPEAN UNION	3
4.2	GREAT BRITAIN	5
4.3	BRAZIL.....	5

1 PREFACE

1.1 DISCLAIMER

Komatsu Ltd. reserves the right to make modifications, additions, and deletions to this document due to typographical errors, inaccurate information, or improvements to programs and/or equipment at any time and without notice. Such changes will, nevertheless, be incorporated into new editions of this document.

1.2 INTENDED USAGE

This manual is intended for anyone who attempts to operate Data Communicator 'KDTC330' in the first place and provides appropriate procedures for anyone who is engaged in handling/building them in a safe manner.

1.3 COMPLIANCE INFORMATION

Please read the section "Compliance Notice" for locale-specific information regarding labelling, safety related statements.

2 Document Information

Revision History

Revision	Date	Author(s)	Description/comment
Revision_v1	2024/2/2	E. Masutani	Initial Draft

3 Specification of Hardware

3.1 Outline Dimensions and Mass

Dimensions of Outline (Dimensions are in millimeters)

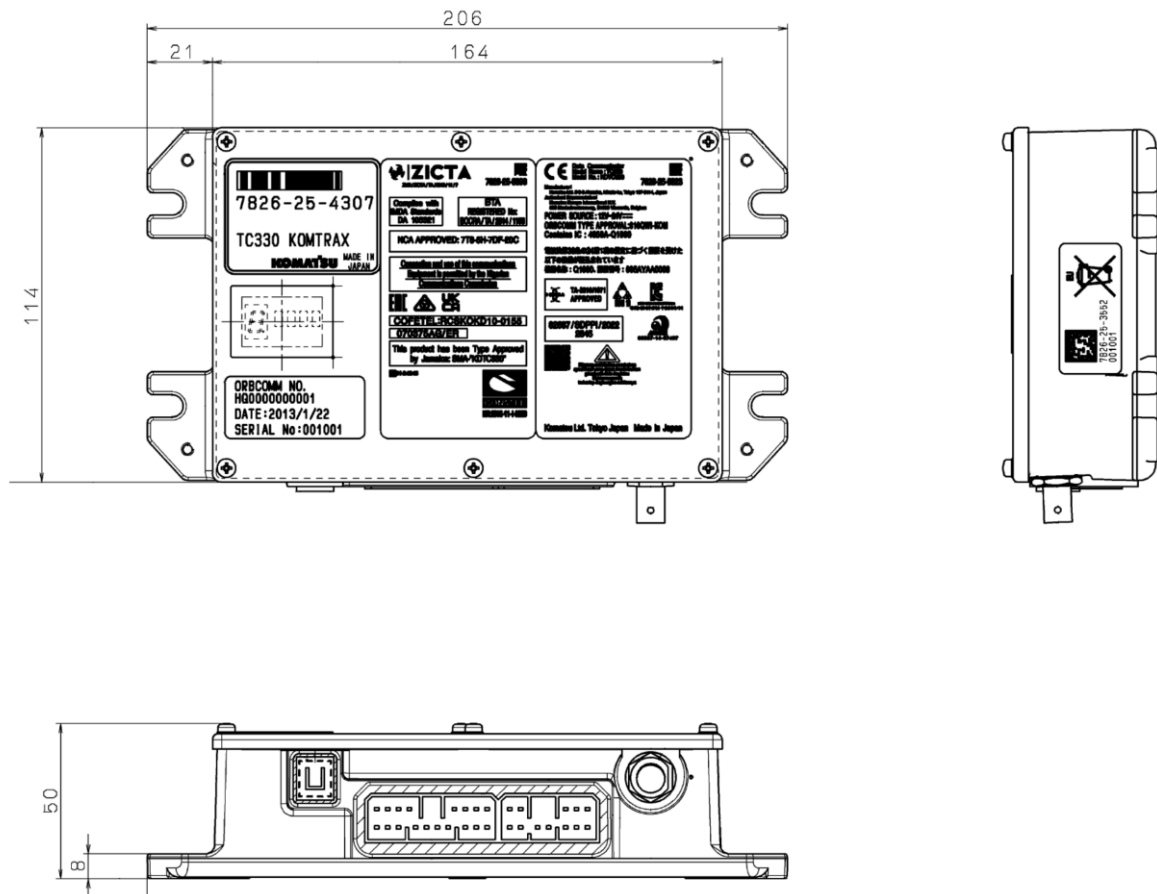


Figure 1 KDTC330 Dimensions

Mass: 0.85 [kilograms]

4 Compliance Notice

4.1 European Union



MANUFACTURER/AUTHORIZED REPRESENTATIVE

Hereby, the Manufacturer/Authorized representative:

The Manufacturer	The Authorized representative
KOMATSU Ltd. 2-3-6 Akasaka Minato-ku, Tokyo 107-8414 Japan	KOMATSU EUROPE INT. Mechelsesteenweg 586 B-1800 Vilvoorde Belgium

SIMPLIFIED DECLARATION OF CONFORMITY

[EN] English	<p>Hereby, Komatsu Ltd. declares that the radio equipment type KDTC330 is in compliance with Directive 2014/53/EU.</p> <p>The full text of the EU declaration of conformity is available at the following internet address: https://www.komatsu.eu/komtrax-radio-equipment-directive</p>
[BG] Bulgarian	<p>С настоящото Komatsu Ltd. декларира, че този тип радиосъоръжение KDTC330 е в съответствие с Директива 2014/53/ЕС.</p> <p>Цялостният текст на ЕС декларацията за съответствие може да се намери на следния интернет адрес: https://www.komatsu.eu/komtrax-radio-equipment-directive</p>
[CS] Czech	<p>Tímto Komatsu Ltd. prohlašuje, že typ rádiového zařízení KDTC330 je v souladu se směrnicí 2014/53/EU.</p> <p>Úplné znění EU prohlášení o shodě je k dispozici na této internetové adrese: https://www.komatsu.eu/komtrax-radio-equipment-directive</p>
[DA] Danish	<p>Hermed erklærer Komatsu Ltd., at radioudstyrstypen KDTC330 er overensstemmelse med direktiv 2014/53/EU.</p> <p>EU-overensstemmelseserklæringens fulde tekst kan findes på følgende internetadresse: https://www.komatsu.eu/komtrax-radio-equipment-directive</p>
[DE] German	<p>Hiermit erkläre Komatsu Ltd., dass der Funkanlagentyp KDTC330 der Richtlinie 2014/53/EU entspricht.</p> <p>Der vollständige Text der EU-Konformitätserklärung ist unter der folgenden Internetadresse verfügbar: https://www.komatsu.eu/komtrax-radio-equipment-directive</p>
[ET] Estonian	<p>Käesolevaga deklareerib Komatsu Ltd., et käesolev raadioseadme tüüp KDTC330 vastab direktiivi 2014/53/EL nõuetele.</p> <p>ELi vastavusdeklaratsiooni täielik tekst on kättesaadav järgmisel internetiaadressil: https://www.komatsu.eu/komtrax-radio-equipment-directive</p>
[EL] Greek	<p>Με την παρούσα ο/η Komatsu Ltd., δηλώνει ότι ο ραδιοεξοπλισμός KDTC330 πληροί την οδηγία 2014/53/ΕΕ.</p> <p>Το πλήρες κείμενο της δήλωσης συμμόρφωσης ΕΕ διατίθεται στην ακόλουθη ιστοσελίδα στο διαδίκτυο: https://www.komatsu.eu/komtrax-radio-equipment-directive</p>
[ES] Spanish	<p>Por la presente, Komatsu Ltd. declara que el tipo de equipo radioeléctrico KDTC330 es conforme con la Directiva 2014/53/UE.</p> <p>El texto completo de la declaración UE de conformidad está disponible en la dirección Internet siguiente: https://www.komatsu.eu/komtrax-radio-equipment-directive</p>
[FR] French	<p>Le soussigné, Komatsu Ltd., déclare que l'équipement radioélectrique du type KDTC330 est conforme à la directive 2014/53/UE.</p> <p>Le texte complet de la déclaration UE de conformité est disponible à l'adresse internet suivante: https://www.komatsu.eu/komtrax-radio-equipment-directive</p>
[IT] Italian	<p>Il fabbricante, Komatsu Ltd., dichiara che il tipo di apparecchiatura radio KDTC330 è conforme alla direttiva 2014/53/UE.</p> <p>Il testo completo della dichiarazione di conformità UE è disponibile al seguente indirizzo Internet: https://www.komatsu.eu/komtrax-radio-equipment-directive</p>
[LV] Latvian	<p>Ar šo Komatsu Ltd. deklarē, ka radioiekārta KDTC330 atbilst Direktīvai 2014/53/ES.</p> <p>Pilns ES atbilstības deklarācijas teksts ir pieejams šādā interneta vietnē: https://www.komatsu.eu/komtrax-radio-equipment-directive</p>
[LT] Lithuanian	<p>Aš, Komatsu Ltd., patvirtinu, kad radijo įrenginių tipas KDTC330 atitinka Direktyvą 2014/53/ES.</p> <p>Visas ES atitikties deklaracijos tekstas prieinamas šiuo interneto adresu: https://www.komatsu.eu/komtrax-radio-equipment-directive</p>
[HR] Croatian	<p>Komatsu Ltd. ovime izjavljuje da je radijska oprema tipa KDTC330 u skladu s Direktivom 2014/53/EU.</p> <p>Cjeloviti tekst EU izjave o sukladnosti dostupan je na sljedećoj internetskoj adresi:</p>

	https://www.komatsu.eu/komtrax-radio-equipment-directive
[HU] Hungarian	Komatsu Ltd. igazolja, hogy a KDTC330 típusú rádióberendezés megfelel a 2014/53/EU irányelvnek. Az EU-megfelelőségi nyilatkozat teljes szövege elérhető a következő internetes címen: https://www.komatsu.eu/komtrax-radio-equipment-directive
[MT] Maltese	B'dan, Komatsu Ltd. , niddikjara li dan it-tip ta' tagħmir tar-radju KDTC330 huwa konformi mad-Direttiva 2014/53/UE. It-test kollu tad-dikjarazzjoni ta' konformità tal-UE huwa disponibbli f'dan l-indirizz tal-Internet li ġej: https://www.komatsu.eu/komtrax-radio-equipment-directive
[NL] Dutch	Hierbij verklaar ik, Komatsu Ltd. , dat het type radioapparatuur KDTC330 conform is met Richtlijn 2014/53/EU. De volledige tekst van de EU-conformiteitsverklaring kan worden geraadpleegd op het volgende internetadres: https://www.komatsu.eu/komtrax-radio-equipment-directive
[PL] Polish	Komatsu Ltd. niniejszym oświadcza, że typ urządzenia radiowego KDTC330 jest zgodny z dyrektywą 2014/53/UE. Pełny tekst deklaracji zgodności UE jest dostępny pod następującym adresem internetowym: https://www.komatsu.eu/komtrax-radio-equipment-directive
[PT] Portuguese	O(a) abaixo assinado(a) Komatsu Ltd. declara que o presente tipo de equipamento de rádio KDTC330 está em conformidade com a Diretiva 2014/53/UE. O texto integral da declaração de conformidade está disponível no seguinte endereço de Internet: https://www.komatsu.eu/komtrax-radio-equipment-directive
[RO] Romanian	Prin prezenta, Komatsu Ltd. declară că tipul de echipamente radio KDTC330 este în conformitate cu Directiva 2014/53/UE. Textul integral al declarației UE de conformitate este disponibil la următoarea adresă internet: https://www.komatsu.eu/komtrax-radio-equipment-directive
[SK] Slovak	Komatsu Ltd. týmto vyhlasuje, že rádiové zariadenie typu KDTC330 je v súlade so smernicou 2014/53/EÚ. Úplné EÚ vyhlásenie o zhode je k dispozícii na tejto internetovej adrese: https://www.komatsu.eu/komtrax-radio-equipment-directive
[SL] Slovenian	Komatsu Ltd. potrjuje, da je tip radijske opreme KDTC330 skladen z Direktivo 2014/53/EU. Celotno besedilo izjave EU o skladnosti je na voljo na naslednjem spletnem naslovu: https://www.komatsu.eu/komtrax-radio-equipment-directive
[FI] Finnish	Komatsu Ltd. vakuuttaa, että radiolaitetyyppi KDTC330 on direktiivin 2014/53/EU mukainen. EU-vaatimustenmukaisuusvakuutuksen täysimittainen teksti on saatavilla seuraavassa internetosoitteessa: https://www.komatsu.eu/komtrax-radio-equipment-directive
[SV] Swedish	Härmed försäkrar Komatsu Ltd. att denna typ av radioutrustning KDTC330 överensstämmer med direktiv 2014/53/EU. Den fullständiga texten till EU-försäkran om överensstämmelse finns på följande webbadress: https://www.komatsu.eu/komtrax-radio-equipment-directive

Maximum radio-frequency power

Frequency (MHz)	Max Power (W)
148 – 150.05	10

4.2 Great Britain

Manufacturer/Authorized Representative

Hereby, the Manufacturer/Authorized representative:

The Manufacturer	The Authorized representative
KOMATSU Ltd. 2-3-6 Akasaka Minato-ku, Tokyo 107-8414 Japan	KOMATSU UK Ltd. Durham Road, Birtley, Chester-le-Street, Co. Durham DH3 2QX, UK

SIMPLIFIED DECLARATION OF CONFORMITY

Hereby, **Komatsu Ltd.** declares that the radio equipment type **KDTC330** is in compliance with the relevant statutory requirements.

STATUTORY INSTRUMENTS 2017 No. 1206 TELECOMMUNICATIONS (The Radio Equipment Regulations 2017)

The full text of the declaration of conformity is also available at the following internet address:

<https://www.komatsu.eu/komtrax-radio-equipment-directive>

MAXIMUM RADIO-FREQUENCY POWER

Frequency (MHz)	Max Power (W)
148 – 150.05	10

4.3 Brazil

Este equipamento não tem direito à proteção contra interferência prejudicial e não pode causar interferência em sistemas devidamente autorizados.

Este produto está homologado pela Anatel, de acordo com os procedimentos regulamentados pela Resolução nº 715/2019 e atende aos requisitos técnicos aplicados.

Site da ANATEL www.gov.br/anatel/pt-br