

ID KEY

User's Manual

Model Name **SS310**

Model Number **KDSS310**

KOMATSU

Table of Contents

1 PREFACE..... 2

 1.1 *DISCLAIMER*.....2

 1.2 *INTENDED USAGE*.....2

 1.3 *COMPLIANCE INFORMATION*.....2

2 Document Information..... 2

 REVISION HISTORY.....2

3 Specification of Hardware..... 3

 3.1 OUTLINE DIMENSIONS AND MASS3

 (1) DIMENSIONS OF OUTLINE (DIMENSIONS ARE IN MILLIMETERS).....3

 (2) MASS:.....3

 CONTROLLER: 90 [GRAMS].....3

 RECEIVING ANTENNA: 22 [GRAMS].....3

4 Compliance Notice..... 4

 4.1 EUROPEAN UNION4

 4.2 GREAT BRITAIN6

 4.3 FCC6

 4.4 ISED7

 4.5 CHINA7

1 PREFACE

1.1 DISCLAIMER

Komatsu Ltd. reserves the right to make modifications, additions, and deletions to this document due to typographical errors, inaccurate information, or improvements to programs and/or equipment at any time and without notice. Such changes will, nevertheless, be incorporated into new editions of this document.

1.2 INTENDED USAGE

This manual is intended for anyone who attempts to operate ID KEY Controller 'KDSS310 (ID KEY)' in the first place and provides appropriate procedures for anyone who is engaged in handling/building them in a safe manner.

1.3 COMPLIANCE INFORMATION

Please read the section "Compliance Notice" for locale-specific information regarding labelling, safety related statements.

2 Document Information

Revision History

Revision	Date	Author(s)	Description/comment
Revision_v1	2023/6/23	E. Masutani	Initial Draft
Revision_v2	2024/1/17	E. Masutani	China Added
Revision_v3	2024/2/2	E. Masutani	EU_UK_FCC_ISED Added
Revision_v4	2024/4/4	E. Masutani	Text Attributes Changed

3 Specification of Hardware

3.1 Outline Dimensions and Mass

(1) Dimensions of Outline (Dimensions are in millimeters)

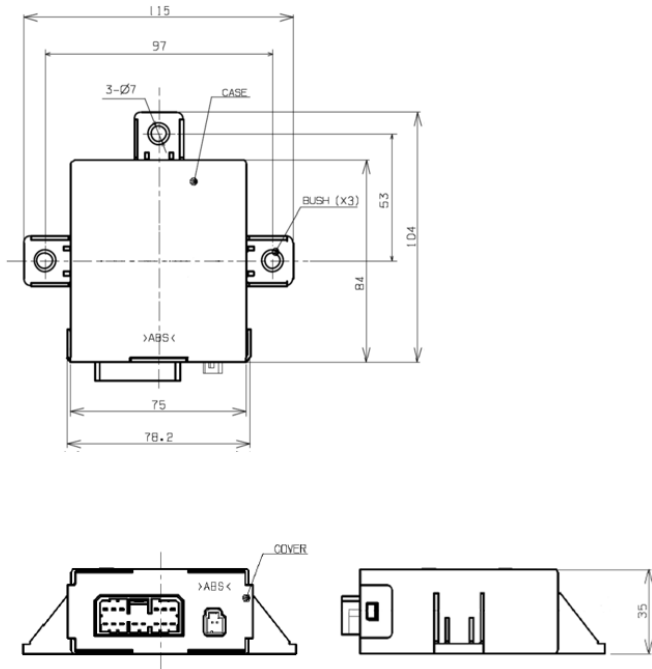


Figure 1 ID KEY Controller

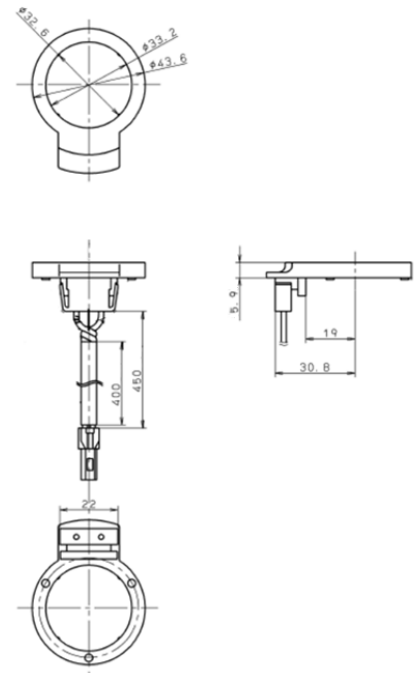


Figure 2 ID KEY receiving antenna

(2) Mass:

Controller: 90 [grams]

Receiving antenna: 22 [grams]

4 Compliance Notice

4.1 European Union



MANUFACTURER/IMPORTER

Hereby, the Manufacturer/Importer:

The Manufacturer	The Importer
TORICA Tokai Rika Create Corporation 2-3-10 Aoi, Higashi-ku, Nagoya Aichi 461-0004 Japan	KOMATSU EUROPE INT. Mechelsesteenweg 586 B-1800 Vilvoorde Belgium

SIMPLIFIED DECLARATION OF CONFORMITY

[EN] English	Hereby, Komatsu Europe International declares that the radio equipment type KDSS310 is in compliance with Directive 2014/53/EU. The full text of the EU declaration of conformity is available at the following internet address: https://www.komatsu.eu/komtrax-radio-equipment-directive
[BG] Bulgarian	С настоящото Komatsu Europe International декларира, че този тип радиосъоръжение KDSS310 е в съответствие с Директива 2014/53/ЕС. Цялостният текст на ЕС декларацията за съответствие може да се намери на следния интернет адрес: https://www.komatsu.eu/komtrax-radio-equipment-directive
[CS] Czech	Tímto Komatsu Europe International prohlašuje, že typ rádiového zařízení KDSS310 je v souladu se směrnicí 2014/53/EU. Úplné znění EU prohlášení o shodě je k dispozici na této internetové adrese: https://www.komatsu.eu/komtrax-radio-equipment-directive
[DA] Danish	Hermed erklærer Komatsu Europe International , at radioudstyrstypen KDSS310 er overensstemmelse med direktiv 2014/53/EU. EU-overensstemmelseserklæringens fulde tekst kan findes på følgende internetadresse: https://www.komatsu.eu/komtrax-radio-equipment-directive
[DE] German	Hiermit erkläre Komatsu Europe International , dass der Funkanlagentyp KDSS310 der Richtlinie 2014/53/EU entspricht. Der vollständige Text der EU-Konformitätserklärung ist unter der folgenden Internetadresse verfügbar: https://www.komatsu.eu/komtrax-radio-equipment-directive
[ET] Estonian	Käesolevaga deklareerib Komatsu Europe International , et käesolev raadioseadme tüüp KDSS310 vastab direktiivi 2014/53/EL nõuetele. ELi vastavusdeklaratsiooni täielik tekst on kättesaadav järgmisel internetiaadressil: https://www.komatsu.eu/komtrax-radio-equipment-directive
[EL] Greek	Με την παρούσα ο/η Komatsu Europe International , δηλώνει ότι ο ραδιοεξοπλισμός KDSS310 πληροί την οδηγία 2014/53/ΕΕ. Το πλήρες κείμενο της δήλωσης συμμόρφωσης ΕΕ διατίθεται στην ακόλουθη ιστοσελίδα στο διαδίκτυο: https://www.komatsu.eu/komtrax-radio-equipment-directive
[ES] Spanish	Por la presente, Komatsu Europe International declara que el tipo de equipo radioeléctrico KDSS310 es conforme con la Directiva 2014/53/UE. El texto completo de la declaración UE de conformidad está disponible en la dirección Internet siguiente: https://www.komatsu.eu/komtrax-radio-equipment-directive
[FR] French	Le soussigné, Komatsu Europe International , déclare que l'équipement radioélectrique du type KDSS310 est conforme à la directive 2014/53/UE. Le texte complet de la déclaration UE de conformité est disponible à l'adresse internet suivante: https://www.komatsu.eu/komtrax-radio-equipment-directive
[IT] Italian	Il fabbricante, Komatsu Europe International , dichiara che il tipo di apparecchiatura radio KDSS310 è conforme alla direttiva 2014/53/UE.

	Il testo completo della dichiarazione di conformità UE è disponibile al seguente indirizzo Internet: https://www.komatsu.eu/komtrax-radio-equipment-directive
[LV] Latvian	Ar šo Komatsu Europe International deklarē, ka radioiekārta KDSS310 atbilst Direktīvai 2014/53/ES. Pilns ES atbilstības deklarācijas teksts ir pieejams šādā interneta vietnē: https://www.komatsu.eu/komtrax-radio-equipment-directive
[LT] Lithuanian	Aš, Komatsu Europe International , patvirtinu, kad radijo įrenginių tipas KDSS310 atitinka Direktyvą 2014/53/ES. Visas ES atitikties deklaracijos teksto prieinamas šiuo interneto adresu: https://www.komatsu.eu/komtrax-radio-equipment-directive
[HR] Croatian	Komatsu Europe International ovime izjavljuje da je radijska oprema tipa KDSS310 u skladu s Direktivom 2014/53/EU. Cjeloviti tekst EU izjave o sukladnosti dostupan je na sljedećoj internetskoj adresi: https://www.komatsu.eu/komtrax-radio-equipment-directive
[HU] Hungarian	Komatsu Europe International igazolja, hogy a KDSS310 típusú rádióberendezés megfelel a 2014/53/EU irányelvnek. Az EU-megfelelőségi nyilatkozat teljes szövege elérhető a következő internetes címen: https://www.komatsu.eu/komtrax-radio-equipment-directive
[MT] Maltese	B'dan, Komatsu Europe International , niddikjara li dan it-tip ta' tagħmir tar-radju KDSS310 huwa konformi mad-Direttiva 2014/53/UE. It-test kollu tad-dikjarazzjoni ta' konformità tal-UE huwa disponibbli f'dan l-indirizz tal-Internet li ġej: https://www.komatsu.eu/komtrax-radio-equipment-directive
[NL] Dutch	Hierbij verklaar ik, Komatsu Europe International , dat het type radioapparatuur KDSS310 conform is met Richtlijn 2014/53/EU. De volledige tekst van de EU-conformiteitsverklaring kan worden geraadpleegd op het volgende internetadres: https://www.komatsu.eu/komtrax-radio-equipment-directive
[PL] Polish	Komatsu Europe International niniejszym oświadcza, że typ urządzenia radiowego KDSS310 jest zgodny z dyrektywą 2014/53/UE. Pełny tekst deklaracji zgodności UE jest dostępny pod następującym adresem internetowym: https://www.komatsu.eu/komtrax-radio-equipment-directive
[PT] Portuguese	O(a) abaixo assinado(a) Komatsu Europe International declara que o presente tipo de equipamento de rádio KDSS310 está em conformidade com a Diretiva 2014/53/UE. O texto integral da declaração de conformidade está disponível no seguinte endereço de Internet: https://www.komatsu.eu/komtrax-radio-equipment-directive
[RO] Romanian	Prin prezenta, Komatsu Europe International declară că tipul de echipamente radio KDSS310 este în conformitate cu Directiva 2014/53/UE. Textul integral al declarației UE de conformitate este disponibil la următoarea adresă internet: https://www.komatsu.eu/komtrax-radio-equipment-directive
[SK] Slovak	Komatsu Europe International týmto vyhlasuje, že rádiové zariadenie typu KDSS310 je v súlade so smernicou 2014/53/EÚ. Úplné EÚ vyhlásenie o zhode je k dispozícii na tejto internetovej adrese: https://www.komatsu.eu/komtrax-radio-equipment-directive
[SL] Slovenian	Komatsu Europe International potrjuje, da je tip radijske opreme KDSS310 skladen z Direktivo 2014/53/EU. Celotno besedilo izjave EU o skladnosti je na voljo na naslednjem spletnem naslovu: https://www.komatsu.eu/komtrax-radio-equipment-directive
[FI] Finnish	Komatsu Europe International vakuuttaa, että radiolaitetyyppi KDSS310 on direktiivin 2014/53/EU mukainen. EU-vaatimustenmukaisuusvakuutuksen täysimittainen teksti on saatavilla seuraavassa internetosoitteessa: https://www.komatsu.eu/komtrax-radio-equipment-directive
[SV] Swedish	Härmed försäkrar Komatsu Europe International att denna typ av radioutrustning KDSS310 överensstämmer med direktiv 2014/53/EU. Den fullständiga texten till EU-försäkran om överensstämmelse finns på följande webbadress: https://www.komatsu.eu/komtrax-radio-equipment-directive

Maximum radio-frequency power

Frequency (kHz)	Max Power
134.2	50 dBu V/m at 3m

4.2 Great Britain **UK
CA**

MANUFACTURER/IMPORTER

Hereby, the Manufacturer/Importer:

The Manufacturer	The Importer
TORICA Tokai Rika Create Corporation 2-3-10 Aoi, Higashi-ku, Nagoya Aichi 461-0004 Japan	KOMATSU UK Ltd. Durham Road, Birtley, Chester-le-Street, Co. Durham DH3 2QX, UK

SIMPLIFIED DECLARATION OF CONFORMITY

Hereby, **Komatsu UK Ltd.** declares that the radio equipment type **KDSS310** is in compliance with Radio Equipment Regulations 2017.

The full text of the declaration of conformity is also available at the following internet address:

<https://www.komatsu.eu/komtrax-radio-equipment-directive>

Maximum radio-frequency power

Frequency (kHz)	Max Power
134.2	50 dBu V/m at 3m

4.3 FCC

- FCC ID : 2AD4RTRC-SS310
- FCC CAUTION
Changes or modifications made to this equipment not expressly approved by (FURUKAWA AUTOMOTIVE SYSTEMS INC) may void the FCC authorization to operate this equipment.
- This device complies with part 15 of the FCC Rules.
Operation is subject to the following two conditions:(1)This device may not cause harmful interference, and (2) this device must accept any interference received, including interference that may cause undesired operation.
- Radiofrequency radiation exposure Information:
This equipment complies with FCC radiation exposure limits set forth for an uncontrolled environment and meets the FCC radio frequency(RF) Exposure Guidelines as this equipment has very low levels of RF energy.

4.4 ISED

- IC: 12691A-TRCSS310
- This device contains licence-exempt transmitter(s)/receiver(s) that comply with Innovation, Science and Economic Development Canada's licence-exempt RSS(s). Operation is subject to the following two conditions:
 1. This device may not cause interference.
 2. This device must accept any interference, including interference that may cause undesired operation of the device.
- L'émetteur/récepteur exempt de licence contenu dans le présent appareil est conforme aux CNR d'Innovation, Sciences et Développement économique Canada applicables aux appareils radio exempts de licence. L'exploitation est autorisée aux deux conditions suivantes
 1. L'appareil ne doit pas produire de brouillage
 2. L'appareil doit accepter tout brouillage radioélectrique subi, même si le brouillage est susceptible d'en compromettre le fonctionnement.
- This equipment complies with ISED radiation exposure limits set forth for an uncontrolled environment and meets RSS-102 of the ISED radio frequency (RF) Exposure rules as this equipment has very low levels of RF energy.
- Cet équipement est conforme aux limites d'exposition aux rayonnements énoncées pour un environnement non contrôlé et respecte les règles d'exposition aux fréquences radioélectriques (RF) CNR-102 de l'ISDE puisque cet appareil a un niveau très bas d'énergie RF.

4.5 China

使用微功率短距离无线电发射设备应当符合国家无线电管理有关规定

- (一) 符合“微功率短距离无线电发射设备目录和技术要求”的具体条款和使用场景、采用的天线类型和性能，控制、调整及开关等使用方法；
- (二) 不得擅自改变使用场景或使用条件、扩大发射频率范围、加大发射功率（包括额外加装射频功率放大器），不得擅自更改发射天线
- (三) 不得对其他合法的无线电台（站）产生有害干扰，也不得提出免受有害干扰保护
- (四) 应当承受辐射射频能量的工业、科学及医疗 ISM 应用设备的干扰或其他合法的无线电台（站）干扰
- (五) 如对其他合法的无线电台（站）产生有害干扰时应立即停止使用，并采取措施消除干扰后方可继续使用；
- (六) 在航空器内和依据法律法规、国家有关规定、标准划设的射电天文台、气象雷达站、卫星地球站（含 测控、测距、接收、导航站）等军民用无线电台（站）、机场等的电磁环境保护区域内使用微功率设备应当遵守电磁环境保护及相关行业主管部门的规定；
- (七) 禁止在以机场跑道中心点为圆心、半径 5000 米的区域内使用各类模型遥控器；
- (八) 微功率设备使用时环境条件
 - 工作温度：请参阅机器的操作手册
 - 工作电压：直流 12V/24V