

Data Communicator
User's Manual

Model Name **UG1305**

Model Number **KDUG1305**

KOMATSU

Table of Contents

1	PREFACE	2
1.1	<i>DISCLAIMER</i>	2
1.2	<i>INTENDED USAGE</i>	2
1.3	<i>COMPLIANCE NOTICE</i>	2
2	Document Information	2
	REVISION HISTORY	2
3	Specification of Hardware	3
3.1	OUTLINE DIMENSIONS AND MASS	3
4	Compliance Notice.....	4
4.1	EUROPEAN UNION	4
4.2	GREAT BRITAIN	6

1 PREFACE

1.1 DISCLAIMER

Komatsu Ltd. reserves the right to make modifications, additions, and deletions to this document due to typographical errors, inaccurate information, or improvements to programs and/or equipment at any time and without notice. Such changes will, nevertheless, be incorporated into new editions of this document.

1.2 INTENDED USAGE

This manual is intended for anyone who owns or intends to operate the Data Communicator 'KDUG1305' in the first place and provides appropriate procedures for those engaged in safe handling. For details on how to operate, please refer to the user manual of the machine.

1.3 COMPLIANCE NOTICE

Please read the section "Compliance Notice" for locale-specific information regarding labelling, safety related statements.

2 Document Information

Revision History

Revision	Date	Author(s)	Description/comment
Revision_v1	2023/11/17	E. Masutani	Initial Draft

3 Specification of Hardware

3.1 Outline Dimensions and Mass

Dimensions of Outline (Dimensions are in millimeters)

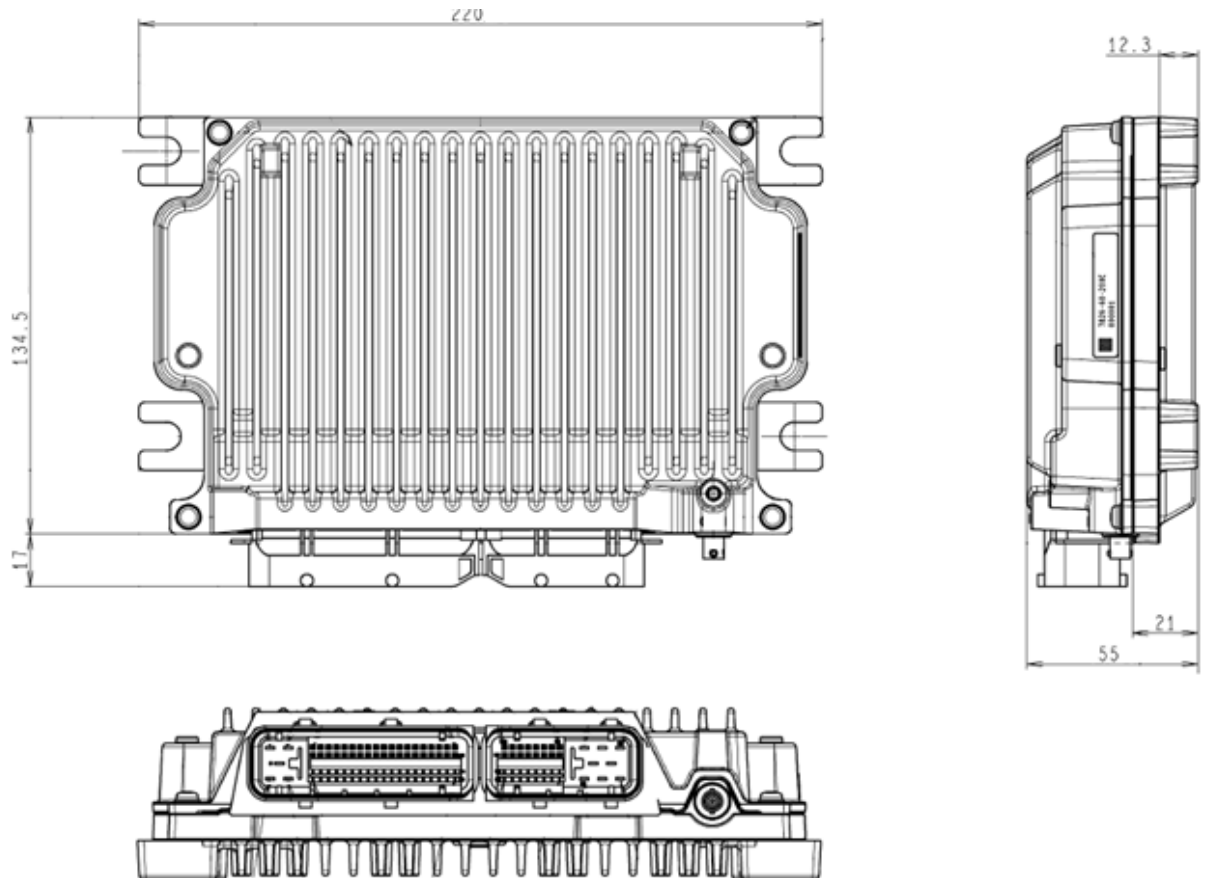


Figure 1 KDUG1305 Dimensions

Mass: 1.63 [kilograms]

4 Compliance Notice

4.1 European Union

MANUFACTURER/AUTHORIZED REPRESENTATIVE

Hereby, the Manufacturer/Authorized representative:

The Manufacturer	The Authorized representative
KOMATSU Ltd. 2-3-6 Akasaka Minato-ku, Tokyo 107-8414 Japan	KOMATSU EUROPE INT. Mechelsesteenweg 586 B-1800 Vilvoorde, Belgium

SIMPLIFIED DECLARATION OF CONFORMITY

[EN] English	Hereby, Komatsu Ltd. declares that the radio equipment type KDUG1305 is in compliance with Directive 2014/53/EU. The full text of the EU declaration of conformity is available at the following internet address: https://www.komatsu.eu/komtrax-radio-equipment-directive
[BG] Bulgarian	С настоящото Komatsu Ltd. декларира, че този тип радиосъоръжение KDUG1305 е в съответствие с Директива 2014/53/ЕС. Цялостният текст на ЕС декларацията за съответствие може да се намери на следния интернет адрес: https://www.komatsu.eu/komtrax-radio-equipment-directive
[CS] Czech	Tímto Komatsu Ltd. prohlašuje, že typ rádiového zařízení KDUG1305 je v souladu se směrnicí 2014/53/EU. Úplné znění EU prohlášení o shodě je k dispozici na této internetové adrese: https://www.komatsu.eu/komtrax-radio-equipment-directive
[DA] Danish	Hermed erklærer Komatsu Ltd. , at radioudstyrstypen KDUG1305 er i overensstemmelse med direktiv 2014/53/EU. EU-overensstemmelseserklæringens fulde tekst kan findes på følgende internetadresse: https://www.komatsu.eu/komtrax-radio-equipment-directive
[DE] German	Hiermit erkläre Komatsu Ltd. , dass der Funkanlagentyp KDUG1305 der Richtlinie 2014/53/EU entspricht. Der vollständige Text der EU-Konformitätserklärung ist unter der folgenden Internetadresse verfügbar: https://www.komatsu.eu/komtrax-radio-equipment-directive
[ET] Estonian	Käesolevaga deklareerib Komatsu Ltd. , et käesolev raadioseadme tüüp KDUG1305 vastab direktiivi 2014/53/EL nõuetele. ELi vastavusdeklaratsiooni täielik tekst on kättesaadav järgmisel internetiaadressil: https://www.komatsu.eu/komtrax-radio-equipment-directive
[EL] Greek	Με την παρούσα ο/η Komatsu Ltd. , δηλώνει ότι ο ραδιοεξοπλισμός KDUG1305 πληροί την οδηγία 2014/53/ΕΕ. Το πλήρες κείμενο της δήλωσης συμμόρφωσης ΕΕ διατίθεται στην ακόλουθη ιστοσελίδα στο διαδίκτυο: https://www.komatsu.eu/komtrax-radio-equipment-directive
[ES] Spanish	Por la presente, Komatsu Ltd. declara que el tipo de equipo radioeléctrico KDUG1305 es conforme con la Directiva 2014/53/UE. El texto completo de la declaración UE de conformidad está disponible en la dirección Internet siguiente: https://www.komatsu.eu/komtrax-radio-equipment-directive
[FR] French	Le soussigné, Komatsu Ltd. , déclare que l'équipement radioélectrique du type KDUG1305 est conforme à la directive 2014/53/UE. Le texte complet de la déclaration UE de conformité est disponible à l'adresse internet suivante: https://www.komatsu.eu/komtrax-radio-equipment-directive
[IT] Italian	Il fabbricante, Komatsu Ltd. , dichiara che il tipo di apparecchiatura radio KDUG1305 è conforme alla direttiva 2014/53/UE. Il testo completo della dichiarazione di conformità UE è disponibile al seguente indirizzo Internet: https://www.komatsu.eu/komtrax-radio-equipment-directive
[LV] Latvian	Ar šo Komatsu Ltd. deklarē, ka radioiekārta KDUG1305 atbilst Direktīvai 2014/53/ES. Pilns ES atbilstības deklarācijas teksts ir pieejams šādā interneta vietnē: https://www.komatsu.eu/komtrax-radio-equipment-directive
[LT] Lithuanian	Aš, Komatsu Ltd. , patvirtinu, kad radijo įrenginių tipas KDUG1305 atitinka Direktyvą 2014/53/ES.

	<p>Visas ES atitikties deklarācijas teksts pieejams šī internetā adresē: https://www.komatsu.eu/komtrax-radio-equipment-directive</p>
[HR] Croatian	<p>Komatsu Ltd. ovime izjavljuje da je radijska oprema tipa KDUG1305 u skladu s Direktivom 2014/53/EU. Cjeloviti tekst EU izjave o skladnosti dostupan je na sljedećoj internetskoj adresi: https://www.komatsu.eu/komtrax-radio-equipment-directive</p>
[HU] Hungarian	<p>Komatsu Ltd. igazolja, hogy a KDUG1305 típusú rádióberendezés megfelel a 2014/53/EU irányelvnek. Az EU-megfelelőségi nyilatkozat teljes szövege elérhető a következő internetes címen: https://www.komatsu.eu/komtrax-radio-equipment-directive</p>
[MT] Maltese	<p>B'dan, Komatsu Ltd., niddikjara li dan it-tip ta' tagħmir tar-radju KDUG1305 huwa konformi mad-Direttiva 2014/53/UE. It-test kollu tad-dikjarazzjoni ta' konformità tal-UE huwa disponibbli f'dan l-indirizz tal-Internet li ġej: https://www.komatsu.eu/komtrax-radio-equipment-directive</p>
[NL] Dutch	<p>Hierbij verklaar ik, Komatsu Ltd., dat het type radioapparatuur KDUG1305 conform is met Richtlijn 2014/53/EU. De volledige tekst van de EU-conformiteitsverklaring kan worden geraadpleegd op het volgende internetadres: https://www.komatsu.eu/komtrax-radio-equipment-directive</p>
[PL] Polish	<p>Komatsu Ltd. niniejszym oświadcza, że typ urządzenia radiowego KDUG1305 jest zgodny z dyrektywą 2014/53/UE. Pełny tekst deklaracji zgodności UE jest dostępny pod następującym adresem internetowym: https://www.komatsu.eu/komtrax-radio-equipment-directive</p>
[PT] Portuguese	<p>O(a) abaixo assinado(a) Komatsu Ltd. declara que o presente tipo de equipamento de rádio KDUG1305 está em conformidade com a Diretiva 2014/53/UE. O texto integral da declaração de conformidade está disponível no seguinte endereço de Internet: https://www.komatsu.eu/komtrax-radio-equipment-directive</p>
[RO] Romanian	<p>Prin prezenta, Komatsu Ltd. declară că tipul de echipamente radio KDUG1305 este în conformitate cu Directiva 2014/53/UE. Textul integral al declarației UE de conformitate este disponibil la următoarea adresă internet: https://www.komatsu.eu/komtrax-radio-equipment-directive</p>
[SK] Slovak	<p>Komatsu Ltd. týmto vyhlasuje, že rádiové zariadenie typu KDUG1305 je v súlade so smernicou 2014/53/EÚ. Úplné EÚ vyhlásenie o zhode je k dispozícii na tejto internetovej adrese: https://www.komatsu.eu/komtrax-radio-equipment-directive</p>
[SL] Slovenian	<p>Komatsu Ltd. potrjuje, da je tip radijske opreme KDUG1305 skladen z Direktivo 2014/53/EU. Celotno besedilo izjave EU o skladnosti je na voljo na naslednjem spletnem naslovu: https://www.komatsu.eu/komtrax-radio-equipment-directive</p>
[FI] Finnish	<p>Komatsu Ltd. vakuuttaa, että radiolaitetyyppi KDUG1305 on direktiivin 2014/53/EU mukainen. EU-vaatimustenmukaisuusvakuutuksen täysimittainen teksti on saatavilla seuraavassa internetosoitteessa: https://www.komatsu.eu/komtrax-radio-equipment-directive</p>
[SV] Swedish	<p>Härmed försäkrar Komatsu Ltd. att denna typ av radioutrustning KDUG1305 överensstämmer med direktiv 2014/53/EU. Den fullständiga texten till EU-försäkran om överensstämmelse finns på följande webbadress: https://www.komatsu.eu/komtrax-radio-equipment-directive</p>

OPERATING FREQUENCY

1575.42[MHz] GPS(L1)

4.2 Great Britain

Manufacturer/Authorized Representative

Hereby, the Manufacturer/Authorized representative:

The Manufacturer	The Authorized representative
KOMATSU Ltd. 2-3-6 Akasaka Minato-ku, Tokyo 107-8414 Japan	KOMATSU UK Ltd. Durham Road, Birtley, Chester-le-Street, Co. Durham DH3 2QX, UK

SIMPLIFIED DECLARATION CONFORMITY

Hereby, **Komatsu Ltd.**, declares that the radio equipment type **KDUG1305** is in compliance with the relevant statutory requirements.

STATUTORY INSTRUMENTS 2017 No. 1206 TELECOMMUNICATIONS (The Radio Equipment Regulations 2017)

The full text of the declaration of conformity is also available at the following internet address:

<https://www.komatsu.eu/komtrax-radio-equipment-directive>

OPERATING FREQUENCY

1575.42[MHz] GPS(L1)