

# User's Manual

Product Name: Switch, Electronic key  
Model Number: KDELEKEY\_BT5

Please print this document in A4 size.

## Table of Contents

1	PREFACE.....	2
1.1	DISCLAIMER.....	2
1.2	INTENDED USAGE.....	2
1.3	COMPLIANCE NOTICE.....	2
2	Safety Information.....	2
3	Document Information Revision History.....	2
4	Specification of Hardware.....	3
4.1	Outline Dimensions and Mass.....	3
4.2	Maximum Radio-Frequency Power.....	3
5	Compliance Notice.....	4
5.1	European Union.....	4
5.2	The Federal Communication Commission.....	7
5.3	Canada (ISED).....	7
5.4	Japan.....	8
5.5	Australia.....	8

# 1 PREFACE

## 1.1 DISCLAIMER

Komatsu Ltd. reserves the right to make modifications, additions, and deletions to this document due to typographical errors, inaccurate information, or improvements to programs and/or equipment at any time and without notice. Such changes will, nevertheless, be incorporated into new editions of this document.

## 1.2 INTENDED USAGE

This manual is intended for anyone who attempts to operate Switch/Electronic key 'KDELEKEY\_BT5' in the first place and provides appropriate procedures for anyone who is engaged in handling/building them in a safe manner.

## 1.3 COMPLIANCE NOTICE

Please read the section "Compliance Notice" for locale-specific information regarding labelling, safety related statements.

# 2 Safety Information



This symbol represents a warning to the user.

## Caution

- Do not ingest battery, Chemical Burn Hazard.
- The remote control supplied with This product contains a coin cell battery. If the coin cell battery is swallowed, it can cause severe internal burns in just 2 hours and can lead to death.
- Keep new and used batteries away from children.
- If the battery compartment does not close securely, stop using the product and keep it away from children.
- If you think batteries might have been swallowed or placed inside any part of the body, seek immediate medical attention.
- **CAUTION** : Risk of explosion if the battery is replaced by an incorrect type
- Do not expose the battery to extreme high or low temperatures and low pressure at high altitudes during use, storage and transport.
- Disposal of a battery into fire or a hot oven, or mechanically crushing or cutting of a battery, that can result in an explosion.
- Leaving a battery in an extremely high temperature surrounding environment that can result in an explosion or the leakage of flammable liquid or gas

# 3 Document Information

## Revision History

Revision	Date	Author(s)	Description/comment
1.0	2024/8/23	Y. Abe	Publication of the First Edition
2.0	2024/9/4	Y. Abe	Added explanation about batteries safety standards

## 4 Specification of Hardware

### 4.1 Outline Dimensions and Mass

(1) Dimensions of Outline (Dimensions are in millimeters)

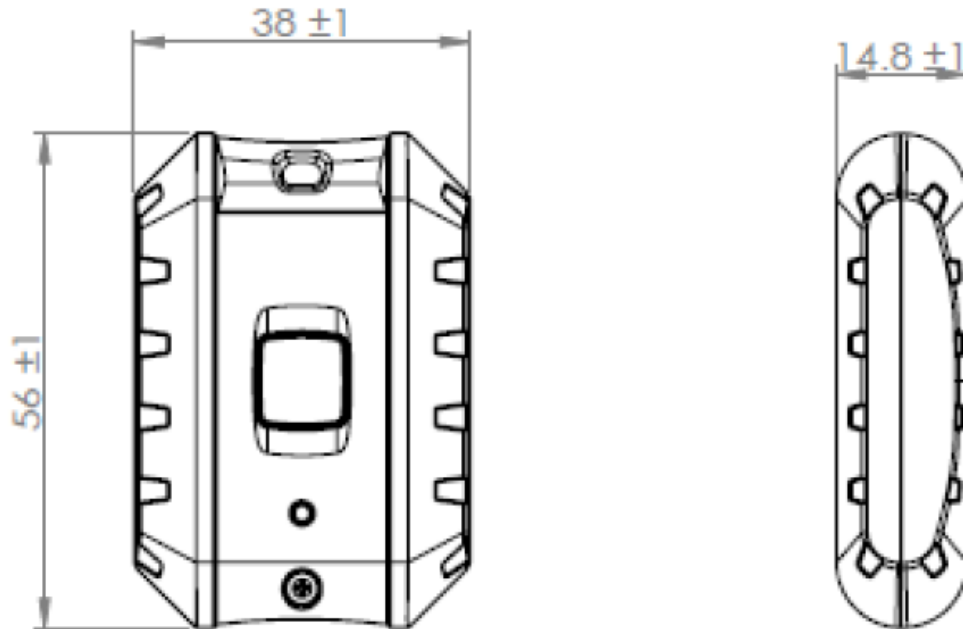


Figure 1 KDELEKEY\_BT5 Dimensions

(2) Mass: 0.03 [kilograms]

### 4.2 Maximum Radio-Frequency Power

Frequency [MHz]	Max Power [dBm]
2402 – 2480	6

## 5 Compliance Notice

### 5.1 European Union



#### - Manufacturer/Importer

Hereby, the Manufacturer/Importer:

The Manufacturer	The Importer
Tokai Rika Create Corporation 2-3-10 Aoi, Higashi-ku, Nagoya Aichi 461-0004, Japan  <b>TORICA</b>	KOMATSU EUROPE INT. Mechelsesteenweg 586 B-1800 Vilvoorde, Belgium  <b>KOMATSU</b>

#### - Safety

Please refer to the vehicle manual for information on safety.

#### - Simplified Declaration of Conformity

[EN] English	Hereby, <b>Tokai Rika Create Corporation</b> declares that the radio equipment type <b>KDELEKEY_BT5</b> is in compliance with Directive 2014/53/EU. The full text of the EU declaration of conformity is available at the following internet address: <a href="https://www.komatsu.eu/komtrax-radio-equipment-directive">https://www.komatsu.eu/komtrax-radio-equipment-directive</a>
[BG] Bulgarian	С настоящото <b>Tokai Rika Create Corporation</b> декларира, че този тип радиосъоръжение <b>KDELEKEY_BT5</b> е в съответствие с Директива 2014/53/ЕС. Цялостният текст на ЕС декларацията за съответствие може да се намери на следния интернет адрес: <a href="https://www.komatsu.eu/komtrax-radio-equipment-directive">https://www.komatsu.eu/komtrax-radio-equipment-directive</a>
[CS] Czech	Tímto <b>Tokai Rika Create Corporation</b> prohlašuje, že typ rádiového zařízení <b>KDELEKEY_BT5</b> je v souladu se směrnicí 2014/53/EU. Úplné znění EU prohlášení o shodě je k dispozici na této internetové adrese: <a href="https://www.komatsu.eu/komtrax-radio-equipment-directive">https://www.komatsu.eu/komtrax-radio-equipment-directive</a>
[DA] Danish	Hermed erklærer <b>Tokai Rika Create Corporation</b> , at radioudstyrstypen <b>KDELEKEY_BT5</b> er overensstemmelse med direktiv 2014/53/EU. EU-overensstemmelseserklæringens fulde tekst kan findes på følgende internetadresse: <a href="https://www.komatsu.eu/komtrax-radio-equipment-directive">https://www.komatsu.eu/komtrax-radio-equipment-directive</a>
[DE] German	Hiermit erklärt <b>Tokai Rika Create Corporation</b> , dass der Funkanlagentyp <b>KDELEKEY_BT5</b> der Richtlinie 2014/53/EU entspricht. Der vollständige Text der EU-Konformitätserklärung ist unter der folgenden Internetadresse verfügbar: <a href="https://www.komatsu.eu/komtrax-radio-equipment-directive">https://www.komatsu.eu/komtrax-radio-equipment-directive</a>
[ET] Estonian	Käesolevaga deklareerib <b>Tokai Rika Create Corporation</b> , et käesolev raadioseadme tüüp <b>KDELEKEY_BT5</b> vastab direktiivi 2014/53/EL nõuetele. ELi vastavusdeklaratsiooni täielik tekst on kättesaadav järgmisel internetiaadressil: <a href="https://www.komatsu.eu/komtrax-radio-equipment-directive">https://www.komatsu.eu/komtrax-radio-equipment-directive</a>

[EL] Greek	Με την παρούσα ο/η <a href="#">Tokai Rika Create Corporation</a> , δηλώνει ότι ο ραδιοεξοπλισμός <a href="#">KDELEKEY_BT5</a> πληροί την οδηγία 2014/53/ΕΕ. Το πλήρες κείμενο της δήλωσης συμμόρφωσης ΕΕ διατίθεται στην ακόλουθη ιστοσελίδα στο διαδίκτυο: <a href="https://www.komatsu.eu/komtrax-radio-equipment-directive">https://www.komatsu.eu/komtrax-radio-equipment-directive</a>
[ES] Spanish	Por la presente, <a href="#">Tokai Rika Create Corporation</a> declara que el tipo de equipo radioeléctrico <a href="#">KDELEKEY_BT5</a> es conforme con la Directiva 2014/53/UE. El texto completo de la declaración UE de conformidad está disponible en la dirección Internet siguiente: <a href="https://www.komatsu.eu/komtrax-radio-equipment-directive">https://www.komatsu.eu/komtrax-radio-equipment-directive</a>
[FR] French	Le soussigné, <a href="#">Tokai Rika Create Corporation</a> , déclare que l'équipement radioélectrique du type <a href="#">KDELEKEY_BT5</a> est conforme à la directive 2014/53/UE. Le texte complet de la déclaration UE de conformité est disponible à l'adresse internet suivante: <a href="https://www.komatsu.eu/komtrax-radio-equipment-directive">https://www.komatsu.eu/komtrax-radio-equipment-directive</a>
[IT] Italian	Il fabbricante, <a href="#">Tokai Rika Create Corporation</a> , dichiara che il tipo di apparecchiatura radio <a href="#">KDELEKEY_BT5</a> è conforme alla direttiva 2014/53/UE. Il testo completo della dichiarazione di conformità UE è disponibile al seguente indirizzo Internet: <a href="https://www.komatsu.eu/komtrax-radio-equipment-directive">https://www.komatsu.eu/komtrax-radio-equipment-directive</a>
[LV] Latvian	Ar šo <a href="#">Tokai Rika Create Corporation</a> deklarē, ka radioiekārta <a href="#">KDELEKEY_BT5</a> atbilst Direktīvai 2014/53/ES. Pilns ES atbilstības deklarācijas teksts ir pieejams šādā interneta vietnē: <a href="https://www.komatsu.eu/komtrax-radio-equipment-directive">https://www.komatsu.eu/komtrax-radio-equipment-directive</a>
[LT] Lithuanian	Aš, <a href="#">Tokai Rika Create Corporation</a> , patvirtinu, kad radijo įrenginių tipas <a href="#">KDELEKEY_BT5</a> atitinka Direktyvą 2014/53/ES. Visas ES atitikties deklaracijos tekstas prieinamas šiuo interneto adresu: <a href="https://www.komatsu.eu/komtrax-radio-equipment-directive">https://www.komatsu.eu/komtrax-radio-equipment-directive</a>
[HR] Croatian	<a href="#">Tokai Rika Create Corporation</a> ovime izjavljuje da je radijska oprema tipa <a href="#">KDELEKEY_BT5</a> u skladu s Direktivom 2014/53/EU. Cjeloviti tekst EU izjave o sukladnosti dostupan je na sljedećoj internetskoj adresi: <a href="https://www.komatsu.eu/komtrax-radio-equipment-directive">https://www.komatsu.eu/komtrax-radio-equipment-directive</a>
[HU] Hungarian	<a href="#">Tokai Rika Create Corporation</a> igazolja, hogy a <a href="#">KDELEKEY_BT5</a> típusú rádióberendezés megfelel a 2014/53/EU irányelvnek. Az EU-megfelelőségi nyilatkozat teljes szövege elérhető a következő internetes címen: <a href="https://www.komatsu.eu/komtrax-radio-equipment-directive">https://www.komatsu.eu/komtrax-radio-equipment-directive</a>
[MT] Maltese	B'dan, <a href="#">Tokai Rika Create Corporation</a> , niddikjara li dan it-tip ta' tagħmir tar-radju <a href="#">KDELEKEY_BT5</a> huwa konformi mad-Direttiva 2014/53/UE. It-test kollu tad-dikjarazzjoni ta' konformità tal-UE huwa disponibbli f'dan l-indirizz tal-Internet li ġej: <a href="https://www.komatsu.eu/komtrax-radio-equipment-directive">https://www.komatsu.eu/komtrax-radio-equipment-directive</a>
[NL] Dutch	Hierbij verklaar ik, <a href="#">Tokai Rika Create Corporation</a> , dat het type radioapparatuur <a href="#">KDELEKEY_BT5</a> conform is met Richtlijn 2014/53/EU. De volledige tekst van de EU-conformiteitsverklaring kan worden geraadpleegd op het volgende internetadres: <a href="https://www.komatsu.eu/komtrax-radio-equipment-directive">https://www.komatsu.eu/komtrax-radio-equipment-directive</a>
[PL] Polish	<a href="#">Tokai Rika Create Corporation</a> niniejszym oświadcza, że typ urządzenia radiowego <a href="#">KDELEKEY_BT5</a> jest zgodny z dyrektywą 2014/53/UE. Pełny tekst deklaracji zgodności UE jest dostępny pod następującym adresem internetowym: <a href="https://www.komatsu.eu/komtrax-radio-equipment-directive">https://www.komatsu.eu/komtrax-radio-equipment-directive</a>

[PT] Portuguese	O(a) abaixo assinado(a) <a href="#">Tokai Rika Create Corporation</a> declara que o presente tipo de equipamento de rádio <a href="#">KDELEKEY_BT5</a> está em conformidade com a Diretiva 2014/53/UE. O texto integral da declaração de conformidade está disponível no seguinte endereço de Internet: <a href="https://www.komatsu.eu/komtrax-radio-equipment-directive">https://www.komatsu.eu/komtrax-radio-equipment-directive</a>
[RO] Romanian	Prin prezenta, <a href="#">Tokai Rika Create Corporation</a> declară că tipul de echipamente radio <a href="#">KDELEKEY_BT5</a> este în conformitate cu Directiva 2014/53/UE. Textul integral al declarației UE de conformitate este disponibil la următoarea adresă internet: <a href="https://www.komatsu.eu/komtrax-radio-equipment-directive">https://www.komatsu.eu/komtrax-radio-equipment-directive</a>
[SK] Slovak	<a href="#">Tokai Rika Create Corporation</a> týmto vyhlasuje, že rádiové zariadenie typu <a href="#">KDELEKEY_BT5</a> je v súlade so smernicou 2014/53/EÚ. Úplné EÚ vyhlásenie o zhode je k dispozícii na tejto internetovej adrese: <a href="https://www.komatsu.eu/komtrax-radio-equipment-directive">https://www.komatsu.eu/komtrax-radio-equipment-directive</a>
[SL] Slovenian	<a href="#">Tokai Rika Create Corporation</a> potrjuje, da je tip radijske opreme <a href="#">KDELEKEY_BT5</a> skladen z Direktivo 2014/53/EU. Celotno besedilo izjave EU o skladnosti je na voljo na naslednjem spletnem naslovu: <a href="https://www.komatsu.eu/komtrax-radio-equipment-directive">https://www.komatsu.eu/komtrax-radio-equipment-directive</a>
[FI] Finnish	<a href="#">Tokai Rika Create Corporation</a> vakuuttaa, että radiolaitetyyppi <a href="#">KDELEKEY_BT5</a> on direktiivin 2014/53/EU mukainen. EU-vaatimustenmukaisuusvakuutuksen täysimittainen teksti on saatavilla seuraavassa internetosoitteessa: <a href="https://www.komatsu.eu/komtrax-radio-equipment-directive">https://www.komatsu.eu/komtrax-radio-equipment-directive</a>
[SV] Swedish	Härmed försäkrar <a href="#">Tokai Rika Create Corporation</a> att denna typ av radioutrustning <a href="#">KDELEKEY_BT5</a> överensstämmer med direktiv 2014/53/EU. Den fullständiga texten till EU-försäkran om överensstämmelse finns på följande webbadress: <a href="https://www.komatsu.eu/komtrax-radio-equipment-directive">https://www.komatsu.eu/komtrax-radio-equipment-directive</a>

## 5.2 *The Federal Communication Commission*

Contains FCC ID: RYYEYSHSN

### FCC CAUTION

Changes or modifications not expressly approved by the party responsible for compliance could void the user's authority to operate the equipment.

This device complies with part 15 of the FCC Rules. Operation is subject to the following two conditions: (1) This device may not cause harmful interference, and (2) this device must accept any interference received, including interference that may cause undesired operation.

This transmitter must not be co-located or operated in conjunction with any other antenna or transmitter.

This equipment complies with FCC radiation exposure limits set forth for an uncontrolled environment and meets the FCC radio frequency (RF) Exposure Guidelines as this equipment has very low levels of RF energy.

## 5.3 *Canada*

Contains IC : 4389B-EYSHSN

### - English

This device contains licence-exempt transmitter(s)/receiver(s) that comply with Innovation, Science and Economic Development Canada's licence-exempt RSS(s). Operation is subject to the following two conditions:

1. This device may not cause interference.
2. This device must accept any interference, including interference that may cause undesired operation of the device.

This equipment complies with ISED radiation exposure limits set forth for an uncontrolled environment and meets RSS-102 of the ISED radio frequency (RF) Exposure rules as this equipment has very low levels of RF energy.

### - French

L'émetteur/récepteur exempt de licence contenu dans le présent appareil est conforme aux CNR d'Innovation, Sciences et Développement économique Canada applicables aux appareils radio exempts de licence. L'exploitation est autorisée aux deux conditions suivantes

1. L'appareil ne doit pas produire de brouillage
2. L'appareil doit accepter tout brouillage radioélectrique subi, même si le brouillage est susceptible d'en compromettre le Fonctionnement.

Cet équipement est conforme aux limites d'exposition aux rayonnements énoncées pour un environnement non contrôlé et respecte les règles d'exposition aux fréquences radioélectriques (RF) CNR-102 de l'ISDE puisque cet appareil a une niveau tres bas d'energie RF.



#### 5.4 Japan

本製品には、電波法に基づく小電力データ通信システムの無線局として、工事設計認証を受けた無線設備を内蔵しています。



#### 5.5 Australia

Model: KDELEKEY\_BT5

