

# User's Manual

Product Name: Computer  
Model Number: TREK-60

Please print this document in A4 size.

## Table of Contents

1	PREFACE.....	2
1.1	<i>DISCLAIMER</i> .....	2
1.2	<i>INTENDED USAGE</i> .....	2
1.3	<i>COMPLIANCE INFORMATION</i> .....	2
2	Document Information.....	2
3	Specification of Hardware.....	3
3.1	<i>Outline Dimensions</i> .....	3
3.2	<i>Maximum radio-frequency power</i> .....	3
4	Compliance Notice.....	4
4.1	<i>European Union</i> .....	4
4.2	<i>Great Britain</i> .....	6

# 1 PREFACE

## 1.1 DISCLAIMER

Komatsu Ltd. reserves the right to make modifications, additions, and deletions to this document due to typographical errors, inaccurate information, or improvements to programs and/or equipment at any time and without notice. Such changes will, nevertheless, be incorporated into new editions of this document.

## 1.2 INTENDED USAGE

This manual is intended for anyone who owns or intends to operate TREK-60 in the first place and provides appropriate procedures for those engaged in safe handling.  
For details on how to operate, please refer to the user manual of the machine.

## 1.3 COMPLIANCE INFORMATION

Please read the section "Compliance Notice" for locale-specific information regarding labelling, safety related statements.

# 2 Document Information

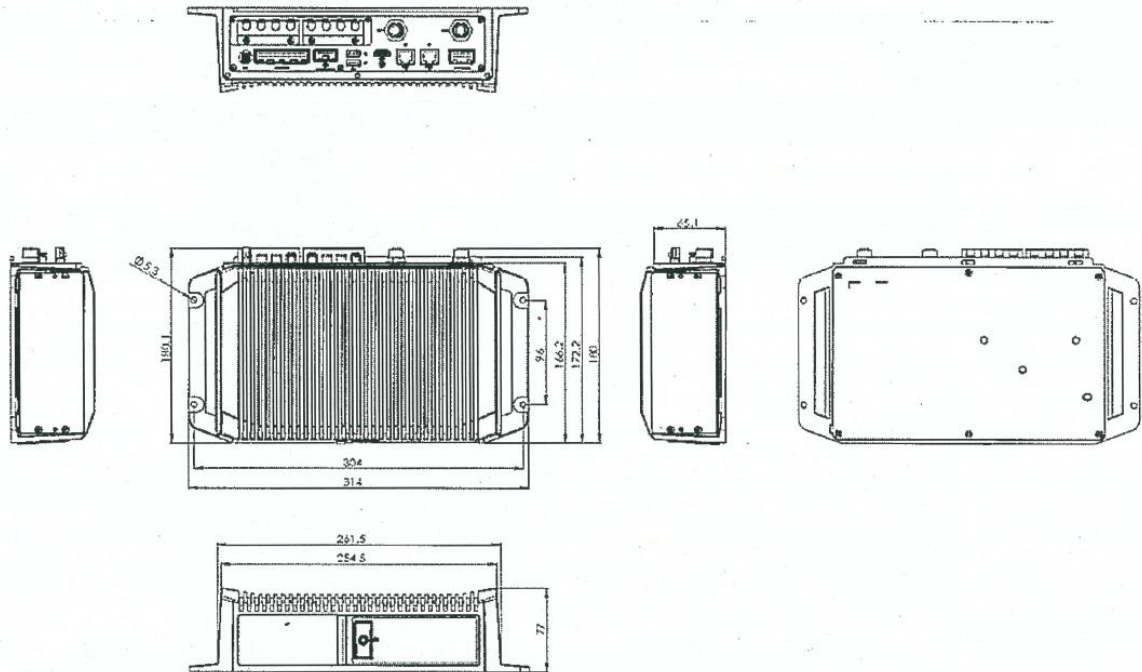
## Revision History

Revision	Date	Author(s)	Description/comment
1	December 3, 2024	Y.Abe	Publication of the First Edition

### 3 Specification of Hardware

#### 3.1 Outline Dimensions

(1) Dimensions of Outline (Dimensions are in millimeters)



314(W) x 166(D) x 76(H)

Figure 1. TREK-60

(2) Mass: 3.8 kg

#### 3.2 Maximum radio-frequency power

Frequency [GHz]	Max Power [dBm e.i.r.p]
1561.098	- (Receiver)
1575.42	- (Receiver)
1598.0625-1605.375	- (Receiver)

## 4 Compliance Notice

### 4.1 European Union



#### - Manufacturer/Importer

Hereby, the Manufacturer/Importer:

The Manufacturer	The Importer
Advantech Co. Ltd. No.1, Alley 20, Lane 26, Rueiguang Road, Neihu District, Taipei 11491, Taiwan, R.O.C.	KOMATSU EUROPE INT. Mechelsesteenweg 586 B-1800 Vilvoorde, Belgium  <b>KOMATSU</b>

#### - Safety

Please refer to the vehicle manual for information on safety.

#### - Simplified Declaration of Conformity

[EN] English	Hereby, Advantech Co. Ltd. declares that the radio equipment type TREK-60 is in compliance with Directive 2014/53/EU. The full text of the EU declaration of conformity is available at the following internet address: <a href="https://www.advantech.com/zh-tw/search/?q=TREK-60&amp;st=support&amp;sst=Certificate">https://www.advantech.com/zh-tw/search/?q=TREK-60&amp;st=support&amp;sst=Certificate</a>
[BG] Bulgarian	С настоящото Advantech Co. Ltd. декларира, че този тип радиосъоръжение TREK-60 е в съответствие с Директива 2014/53/ЕС. Цялостният текст на ЕС декларацията за съответствие може да се намери на следния интернет адрес: <a href="https://www.advantech.com/zh-tw/search/?q=TREK-60&amp;st=support&amp;sst=Certificate">https://www.advantech.com/zh-tw/search/?q=TREK-60&amp;st=support&amp;sst=Certificate</a>
[HR] Croatian	Advantech Co. Ltd. ovime izjavljuje da je radijska oprema tipa TREK-60 u skladu s Direktivom 2014/53/EU. Cjeloviti tekst EU izjave o sukladnosti dostupan je na sljedećoj internetskoj adresi: <a href="https://www.advantech.com/zh-tw/search/?q=TREK-60&amp;st=support&amp;sst=Certificate">https://www.advantech.com/zh-tw/search/?q=TREK-60&amp;st=support&amp;sst=Certificate</a>
[CS] Czech	Timto Advantech Co. Ltd. prohlašuje, že typ rádiového zařízení TREK-60 je v souladu se směrnicí 2014/53/EU. Úplné znění EU prohlášení o shodě je k dispozici na této internetové adrese: <a href="https://www.advantech.com/zh-tw/search/?q=TREK-60&amp;st=support&amp;sst=Certificate">https://www.advantech.com/zh-tw/search/?q=TREK-60&amp;st=support&amp;sst=Certificate</a>
[DA] Danish	Hermed erklærer Advantech Co. Ltd., at radioudstyrstypen TREK-60 er overensstemmelse med direktiv 2014/53/EU. EU-overensstemmelseserklæringens fulde tekst kan findes på følgende internetadresse: <a href="https://www.advantech.com/zh-tw/search/?q=TREK-60&amp;st=support&amp;sst=Certificate">https://www.advantech.com/zh-tw/search/?q=TREK-60&amp;st=support&amp;sst=Certificate</a>
[NL] Dutch	Hierbij verklaar ik, Advantech Co. Ltd., dat het type radioapparatuur TREK-60 conform is met Richtlijn 2014/53/EU. De volledige tekst van de EU-conformiteitsverklaring kan worden geraadpleegd op het volgende internetadres: <a href="https://www.advantech.com/zh-tw/search/?q=TREK-60&amp;st=support&amp;sst=Certificate">https://www.advantech.com/zh-tw/search/?q=TREK-60&amp;st=support&amp;sst=Certificate</a>
[ET] Estonian	Käesolevaga deklareerib Advantech Co. Ltd., et käesolev raadioseadme tüüp TREK-60 vastab direktiivi 2014/53/EL nõuetele. Eli vastavusdeklaratsiooni täielik tekst on kättesaadav järgmisel internetiaadressil: <a href="https://www.advantech.com/zh-tw/search/?q=TREK-60&amp;st=support&amp;sst=Certificate">https://www.advantech.com/zh-tw/search/?q=TREK-60&amp;st=support&amp;sst=Certificate</a>
[FI] Finnish	Advantech Co. Ltd. vakuuttaa, että radiolaitetyyppi TREK-60 on direktiivin 2014/53/EU mukainen. EU-vaatimustenmukaisuusvakuutuksen täysimittainen teksti on saatavilla seuraavassa internetosoitteessa: <a href="https://www.advantech.com/zh-tw/search/?q=TREK-60&amp;st=support&amp;sst=Certificate">https://www.advantech.com/zh-tw/search/?q=TREK-60&amp;st=support&amp;sst=Certificate</a>
[FR] French	Le soussigné, Advantech Co. Ltd., déclare que l'équipement radioélectrique du type TREK-60 est conforme à la directive 2014/53/UE. Le texte complet de la déclaration UE de conformité est disponible à l'adresse internet suivante: <a href="https://www.advantech.com/zh-tw/search/?q=TREK-60&amp;st=support&amp;sst=Certificate">https://www.advantech.com/zh-tw/search/?q=TREK-60&amp;st=support&amp;sst=Certificate</a>

[DE] German	Hiermit erklärt Advantech Co. Ltd., dass der Funkanlagentyp TREK-60 der Richtlinie 2014/53/EU entspricht. Der vollständige Text der EU-Konformitätserklärung ist unter der folgenden Internetadresse verfügbar: <a href="https://www.advantech.com/zh-tw/search/?q=TREK-60&amp;st=support&amp;sst=Certificate">https://www.advantech.com/zh-tw/search/?q=TREK-60&amp;st=support&amp;sst=Certificate</a>
[EL] Greek	Με την παρούσα ο/η Advantech Co. Ltd., δηλώνει ότι ο ραδιοεξοπλισμός TREK-60 πληροί την οδηγία 2014/53/ΕΕ. Το πλήρες κείμενο της δήλωσης συμμόρφωσης ΕΕ διατίθεται στην ακόλουθη ιστοσελίδα στο διαδίκτυο: <a href="https://www.advantech.com/zh-tw/search/?q=TREK-60&amp;st=support&amp;sst=Certificate">https://www.advantech.com/zh-tw/search/?q=TREK-60&amp;st=support&amp;sst=Certificate</a>
[HU] Hungarian	Advantech Co. Ltd. igazolja, hogy a TREK-60 típusú rádióberendezés megfelel a 2014/53/EU irányelvnek. Az EU-megfelelőségi nyilatkozat teljes szövege elérhető a következő internetes címen: <a href="https://www.advantech.com/zh-tw/search/?q=TREK-60&amp;st=support&amp;sst=Certificate">https://www.advantech.com/zh-tw/search/?q=TREK-60&amp;st=support&amp;sst=Certificate</a>
[GA] Irish	Dearbhaíonn Advantech Co. Ltd. leis sin, go bhfuil an cineál trealaimh raidió TREK-60 i gcomhréir le Treoir 2014/53/AE. Tá téacs iomlán de Dhearbú Comhréireachta AE ar fáil ag an seoladh idirlín seo a leanas: <a href="https://www.advantech.com/zh-tw/search/?q=TREK-60&amp;st=support&amp;sst=Certificate">https://www.advantech.com/zh-tw/search/?q=TREK-60&amp;st=support&amp;sst=Certificate</a>
[IT] Italian	Il fabbricante, Advantech Co. Ltd., dichiara che il tipo di apparecchiatura radio TREK-60 è conforme alla direttiva 2014/53/UE. Il testo completo della dichiarazione di conformità UE è disponibile al seguente indirizzo Internet: <a href="https://www.advantech.com/zh-tw/search/?q=TREK-60&amp;st=support&amp;sst=Certificate">https://www.advantech.com/zh-tw/search/?q=TREK-60&amp;st=support&amp;sst=Certificate</a>
[LV] Latvian	Ar šo Advantech Co. Ltd. deklarē, ka radioiekārta TREK-60 atbilst Direktīvai 2014/53/ES. Pilns ES atbilstības deklarācijas teksts ir pieejams šādā interneta vietnē: <a href="https://www.advantech.com/zh-tw/search/?q=TREK-60&amp;st=support&amp;sst=Certificate">https://www.advantech.com/zh-tw/search/?q=TREK-60&amp;st=support&amp;sst=Certificate</a>
[LT] Lithuanian	Aš, Advantech Co. Ltd., patvirtinu, kad radijo įrenginių tipas TREK-60 atitinka Direktyvą 2014/53/ES. Visas ES atitikties deklaracijos tekstas prieinamas šiuo interneto adresu: <a href="https://www.advantech.com/zh-tw/search/?q=TREK-60&amp;st=support&amp;sst=Certificate">https://www.advantech.com/zh-tw/search/?q=TREK-60&amp;st=support&amp;sst=Certificate</a>
[LU] Luxembourgish	Heimat deklaréiert Advantech Co. Ltd., datt de Radio vum Geräityp TREK-60 d'd'Viraussetzunge vun der Riichtlinn 2014/53/EU erfëllt. De ganzen Text vun der EU Konformitéitserklärung ass op der folgender Internetadress verfügbar: <a href="https://www.advantech.com/zh-tw/search/?q=TREK-60&amp;st=support&amp;sst=Certificate">https://www.advantech.com/zh-tw/search/?q=TREK-60&amp;st=support&amp;sst=Certificate</a>
[MT] Maltese	B'dan, Advantech Co. Ltd., niddikjara li dan it-tip ta' tagħmir tar-radju TREK-60 huwa konformi mad-Direttiva 2014/53/UE. It-test kollu tad-dikjarazzjoni ta' konformità tal-UE huwa disponibbli f'dan l-indirizz tal-Internet li ġej: <a href="https://www.advantech.com/zh-tw/search/?q=TREK-60&amp;st=support&amp;sst=Certificate">https://www.advantech.com/zh-tw/search/?q=TREK-60&amp;st=support&amp;sst=Certificate</a>
[PL] Polish	Advantech Co. Ltd. niniejszym oświadcza, że typ urządzenia radiowego TREK-60 jest zgodny z dyrektywą 2014/53/UE. Pełny tekst deklaracji zgodności UE jest dostępny pod następującym adresem internetowym: <a href="https://www.advantech.com/zh-tw/search/?q=TREK-60&amp;st=support&amp;sst=Certificate">https://www.advantech.com/zh-tw/search/?q=TREK-60&amp;st=support&amp;sst=Certificate</a>
[PT] Portuguese	O(a) abaixo assinado(a) Advantech Co. Ltd. declara que o presente tipo de equipamento de rádio TREK-60 está em conformidade com a Diretiva 2014/53/UE. O texto integral da declaração de conformidade está disponível no seguinte endereço de Internet: <a href="https://www.advantech.com/zh-tw/search/?q=TREK-60&amp;st=support&amp;sst=Certificate">https://www.advantech.com/zh-tw/search/?q=TREK-60&amp;st=support&amp;sst=Certificate</a>
[RO] Romanian	Prin prezenta, Advantech Co. Ltd. declară că tipul de echipamente radio TREK-60 este în conformitate cu Directiva 2014/53/UE. Textul integral al declarației UE de conformitate este disponibil la următoarea adresă internet: <a href="https://www.advantech.com/zh-tw/search/?q=TREK-60&amp;st=support&amp;sst=Certificate">https://www.advantech.com/zh-tw/search/?q=TREK-60&amp;st=support&amp;sst=Certificate</a>
[SK] Slovak	Advantech Co. Ltd. týmto vyhlasuje, že rádiové zariadenie typu TREK-60 je v súlade so smernicou 2014/53/EÚ. Úplné EÚ vyhlásenie o zhode je k dispozícii na tejto internetovej adrese: <a href="https://www.advantech.com/zh-tw/search/?q=TREK-60&amp;st=support&amp;sst=Certificate">https://www.advantech.com/zh-tw/search/?q=TREK-60&amp;st=support&amp;sst=Certificate</a>
[SL] Slovenian	Advantech Co. Ltd. potrjuje, da je tip radijske opreme TREK-60 skladen z Direktivo 2014/53/EU. Celotno besedilo izjave EU o skladnosti je na voljo na naslednjem spletnem naslovu: <a href="https://www.advantech.com/zh-tw/search/?q=TREK-60&amp;st=support&amp;sst=Certificate">https://www.advantech.com/zh-tw/search/?q=TREK-60&amp;st=support&amp;sst=Certificate</a>
[ES] Spanish	Por la presente, Advantech Co. Ltd. declara que el tipo de equipo radioeléctrico TREK-60 es conforme con la Directiva 2014/53/UE. El texto completo de la declaración UE de conformidad está disponible en la dirección Internet siguiente: <a href="https://www.advantech.com/zh-tw/search/?q=TREK-60&amp;st=support&amp;sst=Certificate">https://www.advantech.com/zh-tw/search/?q=TREK-60&amp;st=support&amp;sst=Certificate</a>
[SV] Swedish	Härmed försäkras Advantech Co. Ltd. att denna typ av radioutrustning TREK-60 överensstämmer med direktiv 2014/53/EU. Den fullständiga texten till EU-försäkran om överensstämmelse finns på följande webbadress: <a href="https://www.advantech.com/zh-tw/search/?q=TREK-60&amp;st=support&amp;sst=Certificate">https://www.advantech.com/zh-tw/search/?q=TREK-60&amp;st=support&amp;sst=Certificate</a>
[IS] Icelandic	Hér með lýsir Advantech Co. Ltd. því yfir að tegund fjarskiptabúnaðar TREK-60 er í samræmi við tilskipun 2014/53/ESB. Fullur texti ESB samræmisýfirlýsingarinnar er fánlegur á eftirfarandi netfangi: <a href="https://www.advantech.com/zh-tw/search/?q=TREK-60&amp;st=support&amp;sst=Certificate">https://www.advantech.com/zh-tw/search/?q=TREK-60&amp;st=support&amp;sst=Certificate</a>
[NO] Norwegian	Advantech Co. Ltd. erklærer herved at typen av radioutstyr TREK-60 er i samsvar med direktiv 2014/53/EU. Den fullstendige teksten i EU-samsvarserklæringen er tilgjengelig på følgende internettadresse: <a href="https://www.advantech.com/zh-tw/search/?q=TREK-60&amp;st=support&amp;sst=Certificate">https://www.advantech.com/zh-tw/search/?q=TREK-60&amp;st=support&amp;sst=Certificate</a>

[AN] Albanian	Përmes kësaj, Advantech Co. Ltd. deklaron se lloji i pajisjes radio TREK-60 është në përputhje me Direktivën 2014/53/BE. Teksti i plotë i deklaratës së konformitetit të BE-së është i disponueshëm në adresën e mëposhtme të internetit: <a href="https://www.advantech.com/zh-tw/search/?q=TREK-60&amp;st=support&amp;sst=Certificate">https://www.advantech.com/zh-tw/search/?q=TREK-60&amp;st=support&amp;sst=Certificate</a>
[ME] Montenegro	Ovim, Advantech Co. Ltd. izjavljuje da je tip radio opreme TREK-60 u skladu sa Direktivom 2014/53/EU. Cijeli tekst EU deklaracije o poštovanju dostupan je na slijedećoj internet adresi: <a href="https://www.advantech.com/zh-tw/search/?q=TREK-60&amp;st=support&amp;sst=Certificate">https://www.advantech.com/zh-tw/search/?q=TREK-60&amp;st=support&amp;sst=Certificate</a>
[TR] Turkish	Advantech Co. Ltd. telsiz ekipmanı tipinin TREK-60 2014/53/AB sayılı Direktif e uygun olduğunu beyan eder. AB uygunluk beyanının tam metni aşağıdaki internet adresinde mevcuttur: <a href="https://www.advantech.com/zh-tw/search/?q=TREK-60&amp;st=support&amp;sst=Certificate">https://www.advantech.com/zh-tw/search/?q=TREK-60&amp;st=support&amp;sst=Certificate</a>
[GE] Georgian	წინამდებარე დეკლარაციით, Advantech Co. Ltd. ვაცხადებ, რომ რადიომოწყობილობის ტიპი TREK-60 შეესაბამება რადიომოწყობილობის შესახებ ტექნიკური რეგლამენტის მოთხოვნებს. შესაბამისობის დეკლარაციის სრული ტექსტი ხელმისაწვდომია შემდეგ ინტერნეტმისამართზე: <a href="https://www.advantech.com/zh-tw/search/?q=TREK-60&amp;st=support&amp;sst=Certificate">https://www.advantech.com/zh-tw/search/?q=TREK-60&amp;st=support&amp;sst=Certificate</a>

## 4.2 Great Britain



### - Manufacturer/Importer

Hereby, the Manufacturer/Importer:

The Manufacturer	The Importer
FURUKAWA AUTOMOTIVE SYSTEMS INC. 1000 Amago, Koura-cho, Inukami-gun 522-0242, Shiga Japan	KOMATSU UK Ltd. Durham Road, Birtley, Chester-le-Street, Co. Durham DH3 2QX, UK  <b>KOMATSU</b>

### - Safety

Please refer to the vehicle manual for information on safety.

### - Simplified Declaration of Conformity

<p>Hereby, Advantech Co. Ltd. declares that the radio equipment type TREK-60 is in compliance with The STATUTORY INSTRUMENTS 2017 No. 1206 TELECOMMUNICATIONS (The Radio Equipment Regulations 2017). The full text of the declaration of conformity is available at the following internet address: <a href="https://www.advantech.com/zh-tw/search/?q=TREK-60&amp;st=support&amp;sst=Certificate">https://www.advantech.com/zh-tw/search/?q=TREK-60&amp;st=support&amp;sst=Certificate</a></p>
--