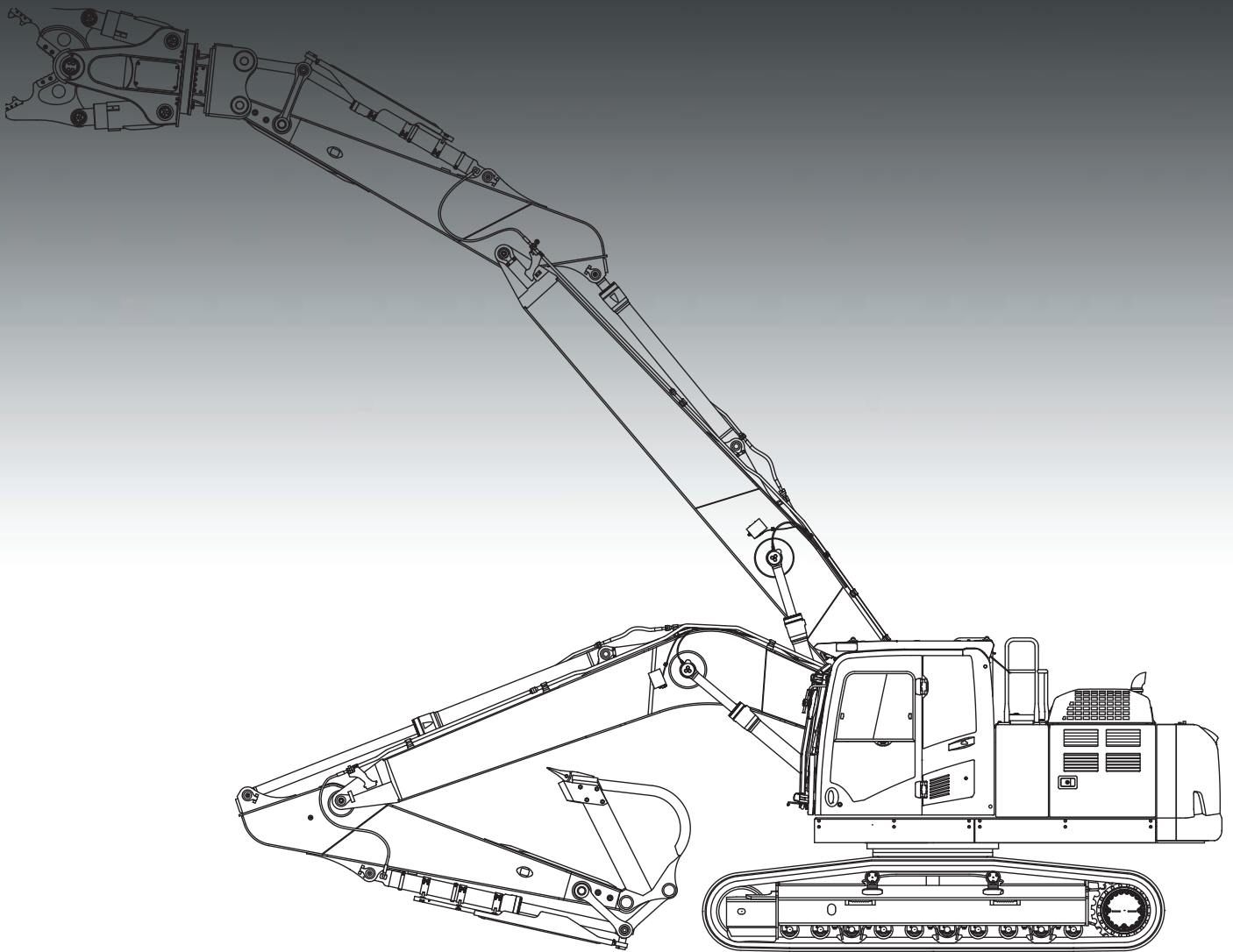


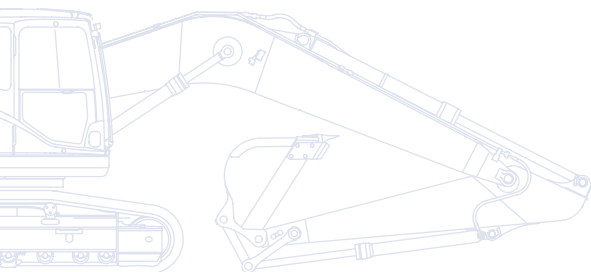
KOMATSU



Demolition Excavators

PC290LC/NLC-10

Mono Boom / Straight Boom



ENGINE POWER
159 kW / 213 HP @ 2.050 rpm

OPERATING WEIGHT
30.420 - 31.030 kg

Walk-Around



Work equipment

- Straight boom or mono boom options are available, with a variety of arm lengths, allowing the machine to be set for most working configurations
- Two-piece boom arrangements upon request
- Two additional hydraulic circuits piped with steel tubing to the end of the arm, suitable for demolition attachments

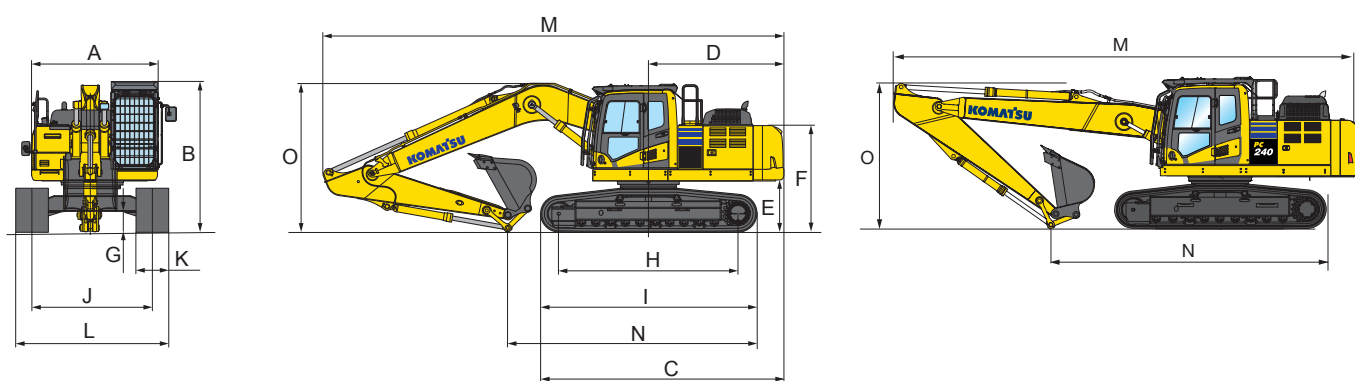
Heavy duty protection

- Heavy duty undercovers (9 mm) fitted to the upper structure offer enhanced resistance to damage from debris on the ground
- Extra heavy duty side protection (15 mm) fitted to each side of the upper structure; bolted on, offering protection from debris on the ground or side impact
- Attachment cylinder guard (optional)
- Reinforced bucket linkage
- Boom lamp protection guard
- Full length track roller guards (optional)
- Additional camera, right side mounted (optional)

Safety equipment

- Special Demolition Safety SpaceCab™ operator cabin (ROPS compliant with ISO 12117-2:2008)
- ISO 10262 Level 2 certified FOPS (Falling Object Protection System)
- Hinged front guard to allow easy access for windscreen cleaning
- Laminated glass roof window with wash wipe system
- Pressurised cabin helps to keep dust out. Climate control fitted as standard
- Joysticks with proportional control button for attachments
- Up to 5 different attachments can be pre set and named (5 breaker settings also available)

Dimensions & Specifications



MACHINE DIMENSIONS

	MONO BOOM		STRAIGHT BOOM	
	PC290LC-10	PC290NLC-10	PC290LC-10	PC290NLC-10
A Overall width of upper structure	2.850 mm	2.850 mm	2.850 mm	2.850 mm
B Overall height of cab (including OPG)	3.390 mm	3.390 mm	3.390 mm	3.390 mm
C Overall length of basic machine	5.380 mm	5.380 mm	5.380 mm	5.380 mm
D Tail length	2.905 mm	2.905 mm	2.905 mm	2.905 mm
Tail swing radius	2.940 mm	2.940 mm	2.940 mm	2.940 mm
E Clearance under counterweight	1.215 mm	1.215 mm	1.215 mm	1.215 mm
F Machine tail height (top of engine cover)	2.715 mm	2.715 mm	2.715 mm	2.715 mm
G Ground clearance	500 mm	500 mm	500 mm	500 mm
H Tumbler centre distance	4.030 mm	4.030 mm	4.030 mm	4.030 mm
I Track length	4.955 mm	4.955 mm	4.955 mm	4.955 mm
J Track gauge	2.590 mm	2.390 mm	2.590 mm	2.390 mm
K Track shoe width	600, 700 mm	600, 700 mm	600, 700 mm	600, 700 mm
L Overall track width with 600 mm shoe	3.190 mm	2.990 mm	3.190 mm	2.990 mm
Overall track width with 700 mm shoe	3.290 mm	3.090 mm	3.290 mm	3.090 mm

TRANSPORT DIMENSIONS

	MONO BOOM			STRAIGHT BOOM		
	PC290LC-10	PC290NLC-10	PC290LC-10	PC290NLC-10	PC290LC-10	PC290NLC-10
Arm length	2,65 m	3,2 m	3,5 m	2,65 m	3,2 m	3,5 m
M Transport length	10.240 mm	10.185 mm	10.195 mm	10.620 mm	10.580 mm	10.545 mm
N Length on ground (transport)	6.425 mm	5.625 mm	5.350 mm	7.240 mm	6.550 mm	6.445 mm
O Overall height (to top of boom)	3.425 mm	3.340 mm	3.375 mm	2.990 mm	3.025 mm	3.325 mm

OPERATING WEIGHT (APPR.)

PC290LC-10

	MONO BOOM		STRAIGHT BOOM	
	Operating weight	Ground pressure	Operating weight	Ground pressure
Triple grouser shoes				
600 mm	30.520 kg	0,54 kg/cm ²	30.630 kg	0,55 kg/cm ²
700 mm	30.920 kg	0,47 kg/cm ²	31.030 kg	0,47 kg/cm ²

OPERATING WEIGHT (APPR.)

PC290NLC-10

	MONO BOOM		STRAIGHT BOOM	
	Operating weight	Ground pressure	Operating weight	Ground pressure
Triple grouser shoes				
600 mm	30.420 kg	0,54 kg/cm ²	30.530 kg	0,54 kg/cm ²
700 mm	30.820 kg	0,47 kg/cm ²	30.930 kg	0,47 kg/cm ²

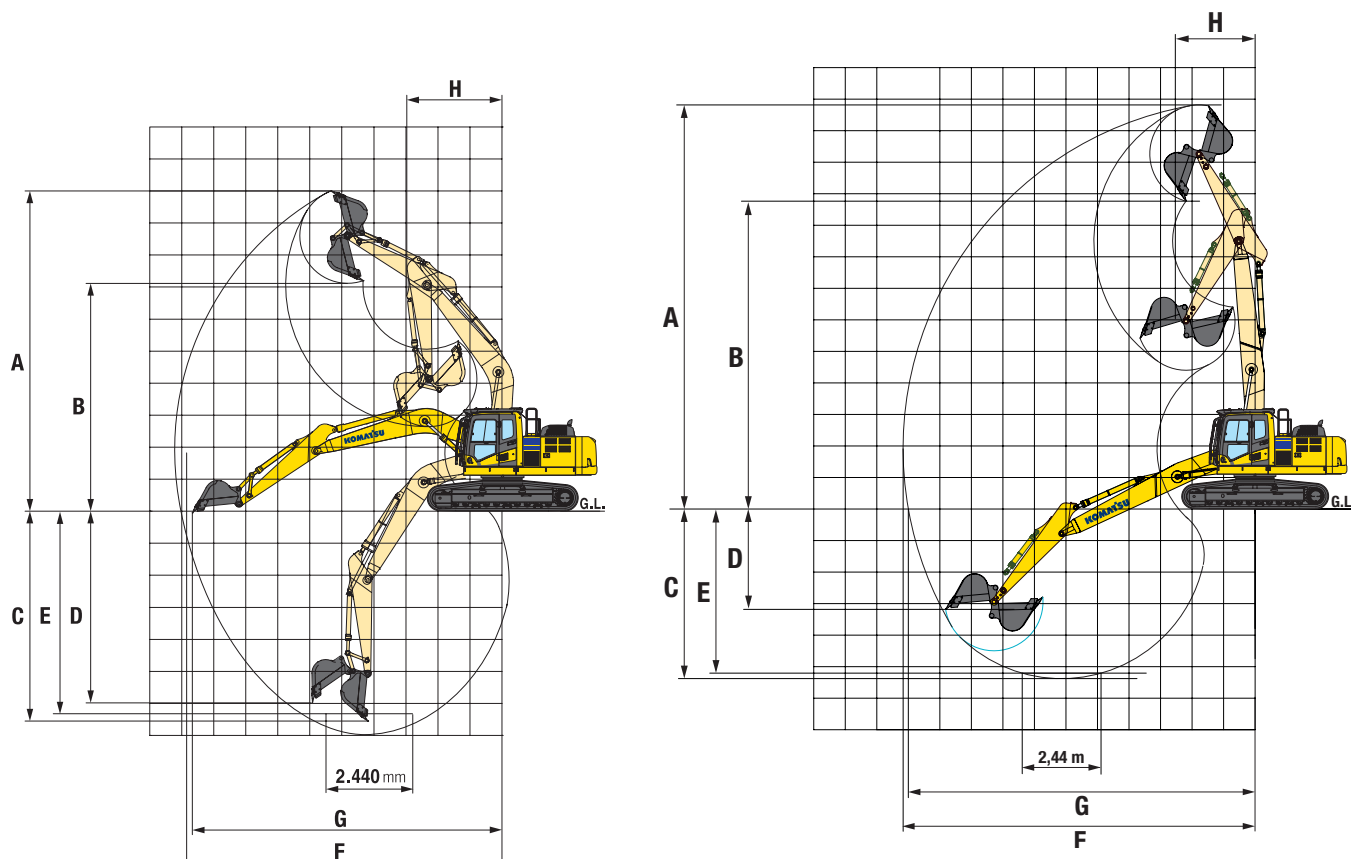
Operating weight, including specified work equipment, 3,2 m arm, 1.300 kg bucket, operator, lubricant, coolant, full fuel tank.

Demolition Excavators

PC290LC/NLC-10

Mono Boom / Straight Boom

WORKING RANGE



PC290LC/NLC-10	MONO BOOM			STRAIGHT BOOM		
	2,65 m	3,2 m	3,5 m	2,65 m	3,2 m	3,5 m
Arm length	2,65 m	3,2 m	3,5 m	2,65 m	3,2 m	3,5 m
A Max. digging height	9.985 mm	10.345 mm	10.355 mm	12.700 mm	13.230 mm	13.480 mm
B Max. dumping height	7.040 mm	7.370 mm	7.435 mm	9.710 mm	10.375 mm	10.630 mm
C Max. digging depth	6.360 mm	6.915 mm	7.220 mm	4.735 mm	5.285 mm	5.585 mm
D Max. vertical wall digging depth	5.365 mm	6.135 mm	5.110 mm	3.690 mm	4.245 mm	4.545 mm
E Max. digging depth of cut for 2,44 m level	6.175 mm	6.755 mm	7.070 mm	4.565 mm	5.135 mm	5.445 mm
F Max. digging reach	10.095 mm	10.635 mm	10.890 mm	11.035 mm	11.585 mm	11.870 mm
G Max. digging reach at ground level	9.905 mm	10.455 mm	10.715 mm	10.860 mm	11.420 mm	11.710 mm
H Min. swing radius	3.740 mm	3.680 mm	3.740 mm	2.710 mm	2.685 mm	2.835 mm

Specifications: Engine power at rated engine speed (2.050 rpm): 159 kW/213 HP (ISO 14396). Engine emissions fully complies with EU Stage IIIB exhaust emission regulations. Noise levels: LwA external: 104 dB(A) (2000/14/EC Stage II). LpA operator ear: 70 dB(A) (ISO 6396 dynamic test. Vibration levels (EN 12096:1997): Hand/arm: 2.5 m/s² (uncertainty K = 0,37 m/s²). Body: 0,5 m/s² (uncertainty K = 0,17 m/s²). Contains fluorinated greenhouse gas HFC-134a (GWP 1430). Quantity of gas 0,9 kg, CO₂ equivalent 1,29 t.