

# CRAWLER EXCAVATOR SERIES PC600-6

# KOMATSU



*The machine shown may vary according to territory specifications*

The PC600-6 is a state of the art European made excavator, setting new standards for cycle times, operator comfort, ease of service and safety.

## HYDRAULIC EXCAVATOR PC600-6

FLUWHEEL HORSEPOWER: **286 kW (384 HP)** at 1800 rpm

BUCKET CAPACITIES: **1.8 ~ 3.5 m<sup>3</sup> SAE**

OPERATING WEIGHT: **56,780 kg ~ 59,520 kg**

Komatsu was the first to introduce computer control into excavators. The latest control system used by the PC600-6 is sophisticated but easy to use.

### Clock

Also used to display diagnostic information during servicing.

### Water temperature

### Working modes

The correct mode for any application can be easily selected.  
DH : Heavy duty mode for maximum production.  
H : Normal digging and loading operations.  
G : Levelling and finishing operations

### Heavy lift mode

The heavy lift mode increases the relief pressure, giving up to 10% higher lifting capacity to cope with exceptional loads.

### Travel speed

2-speed fully automatic travel. Automatically changes from High to low when travelling up steep slopes and can be locked in to low for safe descents and manoeuvring.

### Service meter

### Fuel gauge

### Warning lights

The operator is immediately warned of any major problems.

### Auto deceleration

When selected, automatically reduces engine speed after a short period if the wrist control levers are in neutral.





## ENGINE

Model ..... Communs N14-C420  
 Type ..... Water-cooled, 4-cycle, direct-injection  
 Aspiration ..... Turbocharged, aftercooled  
 No. of cylinders ..... 6  
 Bore ..... 140 mm  
 Stroke ..... 152 mm  
 Piston displacement ..... 14.03 ltr.  
 Flywheel horsepower  
 (SAE J1349) ..... 2861 kW (384 HP) at 1800 RPM  
 Governor ..... All-speed control, mechanical  
 Meets 1996 EPA emission standards.  
 Starting motor ..... 8.9 kW  
 Alternator ..... 70 A  
 Battery ..... 170 Ah



## HYDRAULIC SYSTEMS

Type ..... OLSS (Open-center Load Sensing System)  
 No. of selectable working modes ..... 3  
 Main pump:  
 Type ..... Variable capacity piston type  
 Pumps for ..... Boom, arm, bucket, swing and travel circuits  
 Maximum flow ..... 2 x 410 ltr./min.  
 Sub-pump for control circuit ..... Gear pump  
 Hydraulic motors:  
 Travel ..... 2 x axial piston  
 Swing ..... 2 x axial piston  
 Relief valve setting:  
 Implement circuits ..... 325 kg/cm<sup>2</sup>  
 Travel circuit ..... 350 kg/cm<sup>2</sup>  
 Swing circuit ..... 260 kg/cm<sup>2</sup>  
 Heavy lift circuit ..... 350 kg/cm<sup>2</sup>  
 Pilot circuit ..... 30 kg/cm<sup>2</sup>  
 Hydraulic cylinders:  
 Number of cylinders - bore x stroke x rod diameter:  
 Boom ..... 2 - 185 mm x 1725 mm x 120 mm  
 Arm ..... 1 - 200 mm x 2045 mm x 140 mm  
 Bucket ..... 1 - 185 mm x 1425 mm x 120 mm



## STEERING

Steering/travelling controls are activated by either hand levers or foot pedals. Pushing both levers (or pedals) moves the machine forward. Pulling them back makes the machine go into reverse. Setting one lever (or pedal) in neutral and the other in forward enables the machine to make a pivot turn. Pushing one forward while pulling the other backward makes the machine counter-rotate on the spot.



## OPERATING WEIGHT

Operating weight including 7660 mm one-piece boom, 3500 mm arm, SAE heaped 2.7 m<sup>3</sup> backhoe bucket, rated capacity of lubricants, coolant, full fuel tank, operator, and standard equipment.

SHOES	PC600-6		PC600LC-6	
	Operating Weight	Ground Pressure	Operating Weight	Ground Pressure
610 mm	56780 kg	1.010 kg/cm <sup>2</sup>	57780 kg	960 kg/cm <sup>2</sup>
750 mm	57605 kg	810 kg/cm <sup>2</sup>	58655 kg	780 kg/cm <sup>2</sup>
900 mm			59520 kg	660 kg/cm <sup>2</sup>



## SWING SYSTEM

Driven by ..... Hydraustatic  
 Swing reduction ..... Planetary gear  
 Swing circle lubrication ..... Grease-bathed  
 Service brake ..... Hydraulic lock  
 Parking brake ..... Mechanical brake  
 Swing lock ..... Used parking brake  
 Swing speed ..... 8.3 min. 8.3 rpm



## DRIVES & BRAKES

Steering controls ..... Two levers with pedals  
 Drive method ..... Hydraulic  
 Max. drawbar pull ..... 42,300 kg  
 Gradeability ..... 70%, 35°  
 Maximum travel speed: High ..... 4.9 km/h  
 Low ..... 3.0 km/h  
 Service brake ..... Hydraulic lock  
 Parking brake ..... Mechanical brake



## UNDERCARRIAGE

Center frame ..... H-frame  
 Track frame ..... Box-section  
 Seal of track ..... Sealed track  
 Track adjuster ..... Hydraulic  
 No. of shoes ..... 98 each side (PC600-6)  
 104 each side (PC600LC-6)  
 No. of carrier rollers ..... 8 each side (PC600-6)  
 No. of track rollers ..... 9 each side (PC600LC-6)



## CAB

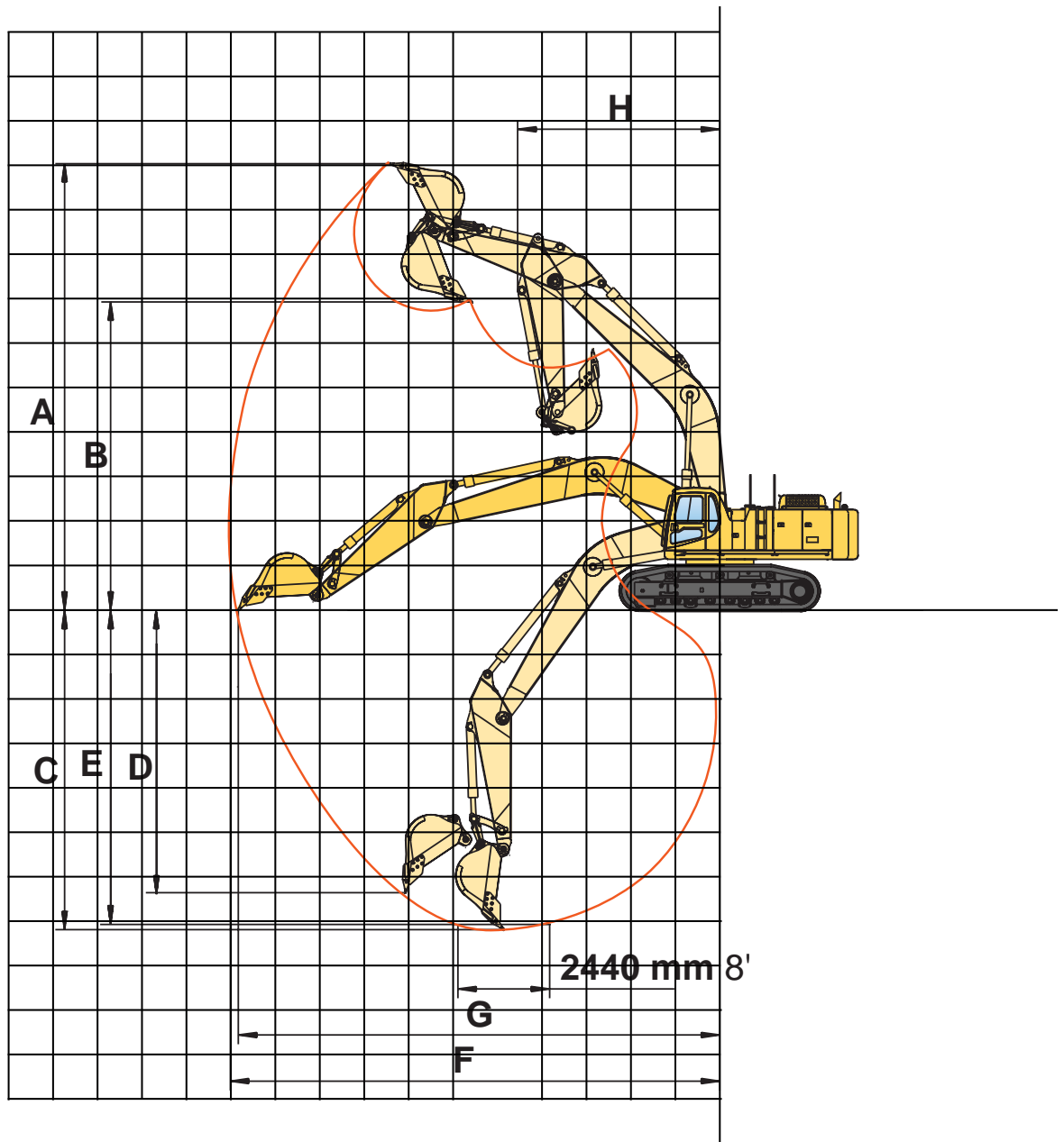
Sound-insulated all-weather steel cab, safety glass windows, pull-up front window, lockable door, window wiper, electric horn, cab lamp, adjustable reclining suspension seat, monitor system and gauges.  
 Dynamic low noise level Lpa 81  
 Lwa 111



## COOLANT & LUBRICANT CAPACITY

Fuel tank ..... 880 ltr.  
 Coolant ..... 57 ltr.  
 Engine ..... 43.5 ltr.  
 Final drive, each side ..... 10 ltr.  
 Swing drive ..... 13.1 ltr.  
 Hydraulic tank ..... 370 ltr.



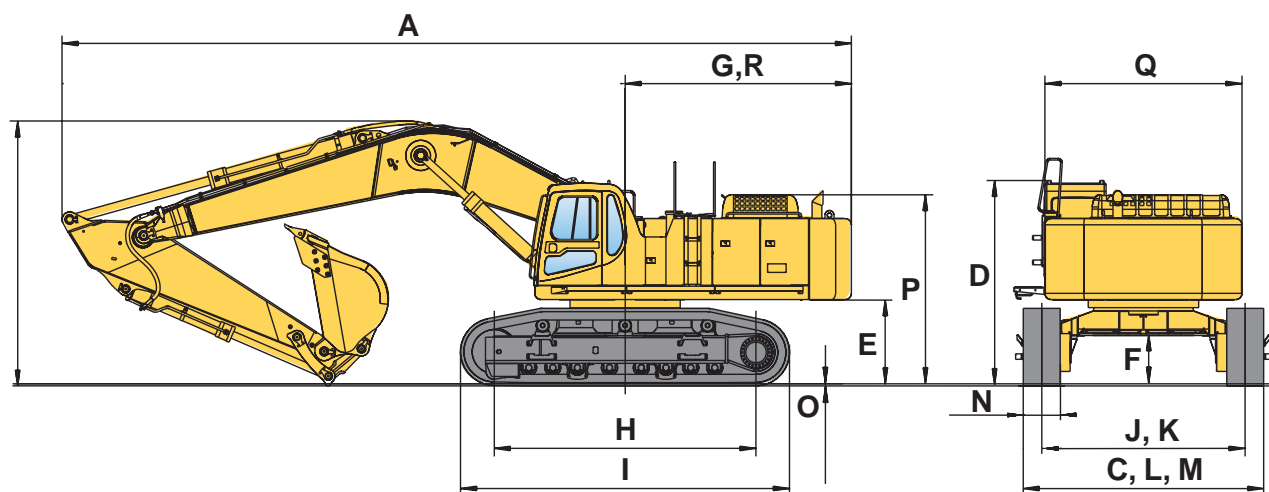


### Arm length

Boom	7600 mm	7300 mm	6600 mm
Arm	3500 mm	3500 mm	2900 mm
A Max. digging height	11880 mm	11475 mm	11050 mm
B Max. dumping height	7960 mm	7650 mm	7200 mm
C Max. digging depth	8490 mm	8165 mm	7000 mm
D Max. vertical wall digging depth	7510 mm	6660 mm	5540 mm
E Max. digging depth of cut for 2440 mm level	8360 mm	8030 mm	6850 mm
F Max. digging reach	13020 mm	12615 mm	11550 mm
G Max. digging reach at ground level	12800 mm	12385 mm	11260 mm
H Min. swing radius	5370 mm	5090 mm	4735 mm
Bucket digging force	26900 kg	26900 kg	30100 kg
Bucket digging force at power max.	29100 kg	29100 kg	32400 kg
Arm crowd force	22600 kg	22600 kg	26500kg
Arm crowd force at power max.	24300 kg	24300 kg	28600 kg

# MACHINE DIMENSIONS

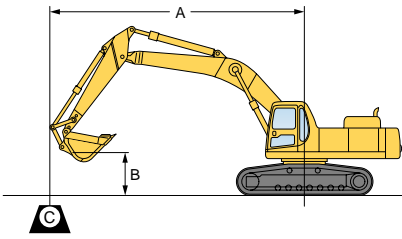
PC600-6



Boom	7660 mm	7300 mm	6600 mm
Arm	3500 mm	3500 mm	2900 mm
A Overall length	12810 mm	12440 mm	11930 mm
B Overall height (to top of boom)	4300 mm	4280 mm	4500 mm
	<b>PC600-6</b>	<b>PC600LC-6</b>	
C Overall width	3900 mm	3900 mm	
D Overall height (to top of cab)	3310 mm	3310 mm	
E Ground clearance, counterweight	1365 mm	1365 mm	
F Ground clearance (minimum)	780 mm	780 mm	
G Tail swing radius	3800 mm	3800 mm	
H Track length on ground	4250 mm	4600 mm	
I Track length	5340 mm	5690 mm	
J Track gauge	2590 mm	2590 mm	
K Track gauge when expanded	3300 mm	3300 mm	
L Width of crawler	3190 mm	3190 mm	
M Width of crawler when expanded	3900 mm	3900 mm	
N Shoe width	600 mm	600 mm	
O Grouser height	37 mm	37 mm	
P Machine cab height	3070 mm	3070 mm	
Q Machine cab width	3195 mm	3195 mm	
R Distance, swing center to rear end	3675 mm	3675 mm	

# LIFTING CAPACITIES

**PC600-6**



A – Reach from swing centerline

B – Bucket hook height

C – Lifting capacities

– Rating over front

– Rating over side or 360 degrees

– Rating at maximum reach

Arm length	A			9.0 m		7.5 m		6.0 m		4.5 m		3.0 m	

## HEAVY LIFT “OFF”

With 600 mm shoe bkt 2.7 m <sup>3</sup> Boom 7660 mm 	6.0 m	kg	*7900	7250	*10150	8950	*11450	*11450					
	3.0 m	kg	8150	6050	11000	8300	*14000	11400	*18200	16350			
	0.0 m	kg	8200	6050	10350	7700	13500	9950	*20100	14800	*14500	*14500	
	-3.0 m	kg	10150	7550	10350	7650	13500	9950	*18100	14800	*23150	*23150	*20950

## HEAVY LIFT “ON”

With 600 mm shoe bkt 2.7 m <sup>3</sup> Boom 7660 mm 	6.0 m	kg	*8750	7250	*11350	8950	*12750	12700					
	3.0 m	kg	8150	6050	11000	8300	15050	11400	*20150	16350			
	0.0 m	kg	8200	6050	10350	7700	13500	9950	20200	14800	*15900	*15900	
	-3.0 m	kg	10150	7550	10350	7650	13500	9950	20150	14800	*25750	24400	*22800

## HEAVY LIFT “OFF”

With 600 mm shoe bkt 2.8 m <sup>3</sup> Boom 7300 mm 	6.0 m	kg	*7450	*7450	*10100	8650	*11300	*11300					
	3.0 m	kg	*8550	6300	10850	8150	*13800	11400	*17200	15900	*23350	*23350	
	0.0 m	kg	8700	6350	10300	7600	14100	10450	*20000	15050	*19500	*19500	
	-3.0 m	kg	*10900	8150			*13750	10300	*17900	14950	*23300	*23300	*23850

## HEAVY LIFT “ON”

With 600 mm shoe bkt 2.8 m <sup>3</sup> Boom 7300 mm 	6.0 m	kg	*8300	7700	*11350	8650	*12600	12600					
	3.0 m	kg	8600	6300	10850	8150	15100	11400	*19150	15900	*25450	*25450	
	0.0 m	kg	8700	6350	10300	7600	14100	10450	20500	15050	*21300	*21300	
	-3.0 m	kg	11050	8150			13950	10300	*19950	14850	*25900	24800	*25950

## HEAVY LIFT “OFF”

With 600 mm shoe bkt 3.5 m <sup>3</sup> Boom 6600 mm 	6.0 m	kg	*8300			*11700	*11700						
	3.0 m	kg	*9300	7050	10850	8150	*13950	11550	*17650	17100	*24700	*24700	
	0.0 m	kg	9650	7100	10350	7650	14150	10550	*19000	13900	*28100	24650	
	-3.0 m	kg	*11650	9350			*13200	10400	*16800	13850	*23750	*23750	*29900

## HEAVY LIFT “ON”

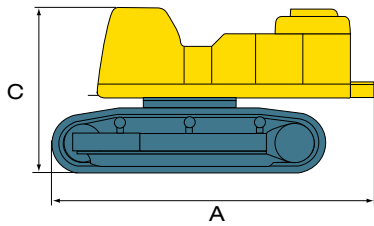
With 600 mm shoe bkt 3.5 m <sup>3</sup> Boom 6600 mm 	6.0 m	kg	*9200	8750			*13050	12600					
	3.0 m	kg	9500	7050	10850	8150	15250	11550	*19550	17100	*27250	*27250	
	0.0 m	kg	9650	7100	10350	7650	14150	10550	19200	13900	*31100	24650	
	-3.0 m	kg	12600	9350			14050	10400	*18850	13850	*26400	24800	*32450

\* Load is limited by hydraulic capacity rather than tipping.  
 Ratings are based on sae standard No. J1097.  
 Rated loads do not exceed 87% of hydraulic lift capacity or 75% of tipping load.

# DIMENSIONS

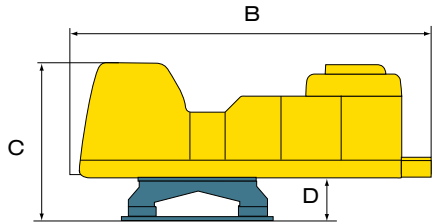
**PC600-6**

## UPPER STRUCTURE + UNDERCARRIAGE



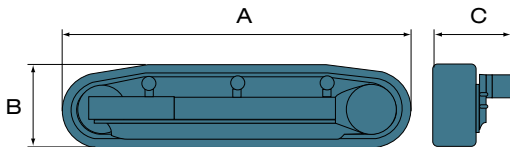
Unit	STD. / OPT.
A Length	mm
B Overall width	mm
C Height	mm
Weight	kg

## UPPER STRUCTURE



Unit	STD. / OPT.
A Overall width	mm
B Length	mm
C Total height	mm
D Height to upperstructure	mm
Weight	kg

## UNDERCARRIAGE

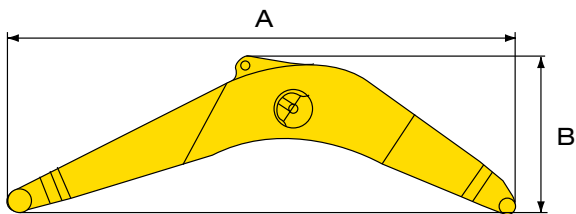


Unit	STD. / OPT.
Quantity	
A Length	mm
B Height	mm
C Width	mm
Weight	kg ( x 2)

## WORK EQUIPMENT

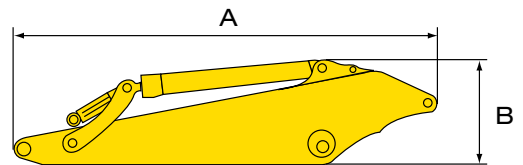
### BOOM

Unit	STD.	OPT.
A Length	mm	mm
B Height	mm	mm
Overall width	mm	mm
Weight	kg	kg

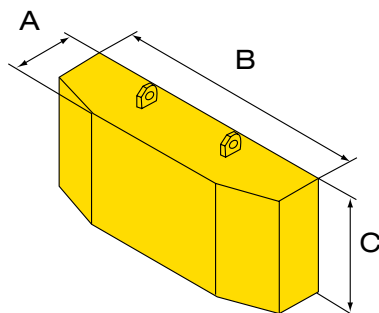


### ARM

Unit	STD.	OPT.
A Length	mm	mm
B Height	mm	mm
Overall width	mm	mm
Weight	kg	kg



## COUNTERWEIGHT

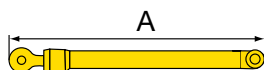


Unit	STD. / OPT.
A Width	mm
B Length	mm
C Height	mm
Weight	kg

## CYLINDERS

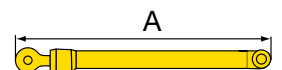
### BOOM

Unit	STD. / OPT.
A Length	mm
Weight	kg ( kg x 2)



### ARM

Unit	STD. / OPT.
A Length	mm
Weight	kg ( kg x 2)



# CRAWLER EXCAVATOR SERIES PC600-6



## STANDARD EQUIPMENT

Standard and optional equipment may vary. Consult your Komatsu dealer for more information.

### Engine and its related items:

- Air cleaner, double element dry
- Engine, Cummins N14-C420
- Fan guard structure

### Electrical system:

- Alternator, 70 Ampere, 24V
- Batteries, 170 Ah/2 x 12V
- Starting motor, 8.9 kW x 1
- Working light, 2 (boom and RH)

### Undercarriage:

- 600 mm 24" triple grouser
- 8/9-track (LC)/3 carrier rollers (each side)
- Hydraulic track adjusters (each side)
- Track guiding guard (each side)

### Guards and Covers:

- Dust-proof net for radiator and oil cooler
- Pump/engine room partition cover
- Revolving frame undercover

### Operator environment:

- Viscous mount, all weather sound suppression with tinted safety glass windows, pull-up front window with lock device, roof window, lockable door, intermittent window wiper and washer, floormat, cigarette lighter, ashtray, storage box, window lattice (right)

- Inclined dashboard
- Handrails for machine cab
- Instrument panel (angle adjustable) with electric display/monitor system with electrically-controlled throttle lever, electric service meter, gauges (coolant temp and fuel level), caution lights (electric charge, engine, oil pressure, and air cleaner clogging), indicator lights (engine preheating and swing lock light) level check light (coolant, engine oil, and hydraulic oil level), self-diagnostic system with trouble data memory
- Rearview mirrors (RH)
- Seat, fully adjustable with suspension

### Hydraulic controls:

- Fully hydraulic, with Electronic Open Center Load Sensing (EOLSS) and engine speed sensing (pump and engine mutual control system)
- 1 gear pump for control circuit
- 2 axial piston motor for swing with single stage relief valve
- 1 axial piston motor per track for travel with counter balance valve
- 2 variable capacity piston pump

- 5+4 spools (boom, arm, bucket, swing, and travel)
- Control levers, wrist control levers for arm, boom, bucket, and swing with PPC system
- Control levers and pedals for steering and travel with PPC system
- Oil cooler
- In-line filter

### Drive and brake system:

- Brakes, hydraulic lock travel brakes, oil disc parking, and swing holding brake
- Hydrostatic, 2 travel speed system with planetary triple reduction final drive

### Other standard equipment:

- Automatic swing holding brake
- Corrosion resister
- Counterweight, 10750 kg 23,700 lb
- Horn, electric
- Marks and plates, English
- One-touch engine oil drainage
- Paint, Komatsu standard
- Wide catwalk and large handrails
- Vandalism protection locks

## OPTIONAL EQUIPMENT

- Air conditioner with defroster
- Arms
  - 3500 mm arm assembly
  - 3500 mm HD arm assembly
  - 2900 mm arm assembly
- Batteries, 200 Ah / 2 x 12 V
- Boom
  - 7600 mm
  - 7300 mm HD
  - 6600 mm SE

- Cab front full guard
- Grease gun, electric drive
- Heater with defroster
- Operator protective guard (OPG)
- Rearview mirror (LH)
- Revolving frame undercover (HD)
- Seat belt

- Shoes
  - 750 mm
  - 900 mm for LC only
- Track roller guards (full length)
- Track frame undercover
- Travel alarm
- Working lights (2 on cab)
- Straight boom

**KOMATSU**

**Komatsu Europe  
International N.V.**

Mechelsesteenweg 586  
B 1800 VILVOORDE (BELGIUM)

Tel. (32)2/255 24 11  
Fax (32)2/252 19 81  
Telex 24.380 Eukom b  
Cable: KOMASEI, Bru B