

# KOMATSU®

## PC78MR-6

FLYWHEEL HORSEPOWER  
40,5 kW / 54 HP @ 1.850 rpm

OPERATING WEIGHT  
8.270 kg

BUCKET CAPACITY  
0,28 m<sup>3</sup>

**PC**  
**78MR-6**

MIDI-EXCAVATOR

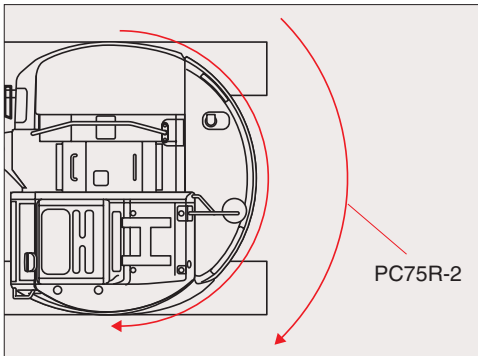


**PC78MR-6**

# PRODUCTIVITY FEATURES

## Tight tail swing

Operators can focus more on the work in front of them and worry less about the rear swing impact even in confined areas; the protrusion over the tracks is only 150 mm.



## Swing boom

The swing boom can also work against wall efficiently.

## Two working modes

give a choice between extra workload and low fuel consumption.

## PC78MR-6's superior traveling

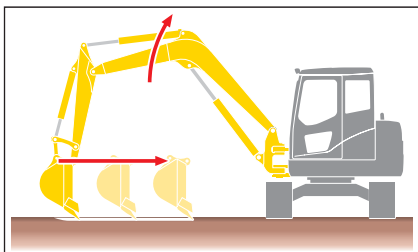
performance and two travel speed also provide higher productivity.

## Back fill blade

The PC78MR-6 features a standard back fill blade that can quickly and conveniently fill trenches and clear up jobsites.

## New pressure-compensated CLSS hydraulic system HydrauMind

Even when 2 or more actuators are operated simultaneously, the PC78MR-6's pressure-compensated CLSS system ensures that each actuator works according to its control input without affecting the size of the load. This gives the operator precise control at all times.



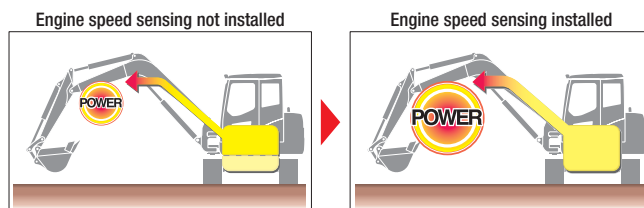
## Powerful engine with turbocharger

The engine can meet the EPA Tier 2 emissions regulations.



## Engine speed sensing = Optimum Power

Power utilized by main pump is adjusted automatically in accordance with the engine speed. That means this computerized system keeps engine speed even under high load condition.

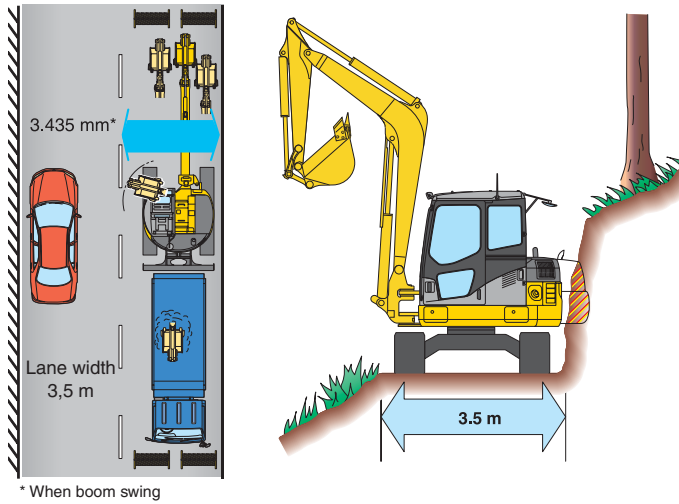


Engine speed can be dropped under high load condition. Maximum pump power must be limited to prevent engine speed down.

Engine speed is maintained even under high load condition. Pump can utilize full potential power of engine all the time.

## Advantages even in confined job sites

### Road construction



### Against wall

PC78MR-6 can efficiently work by using swing boom.



### Wide working ranges

	PC78MR-6	PC75R-2
Max digging height	6.570 mm	6.145 mm
Max digging depth	4.160 mm	3.650 mm
Max digging reach at ground level	6.750 mm	6.600 mm

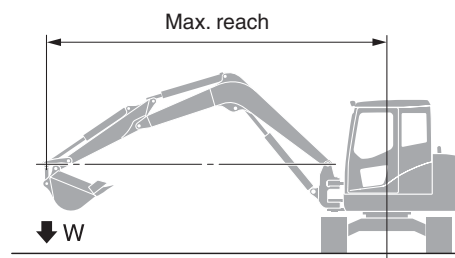
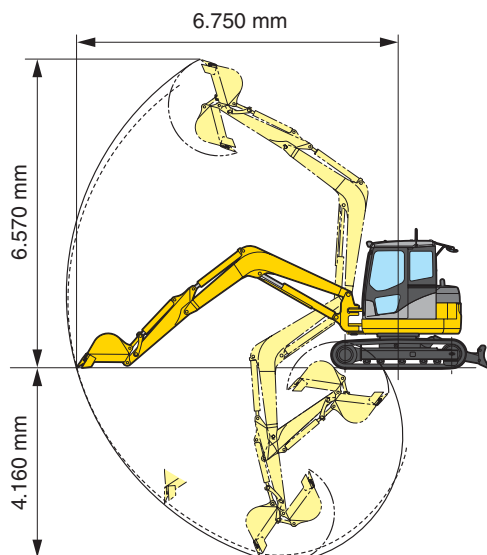
### High stability

The PC78MR-6 offers exceptional lifting capacity and high stability.

	PC78MR-6	PC78MR-6 w. additional counterweight	PC75R-2
At 3 m	2.000 kg	2.090 kg	1.900 kg
At max. reach	760 kg	820 kg	800 kg

The conditions of this comparison are standard arm, sideways, blade on ground and at a height of 0 m (ground level).

—— PC78MR-6  
- - - - PC75R-2



# OPERATOR'S ENVIRONMENT

## Comfortable operator's cab

The cab offers comfort and space to help the operator to become even more confident and productive. The ergonomically designed features help reduce fatigue and increase focus on the job at hand. The noise levels of the engine comply with the standards, which helps reduce fatigue and can make the operator even more comfortable.

## Low noise design cab: 74 dB(A)

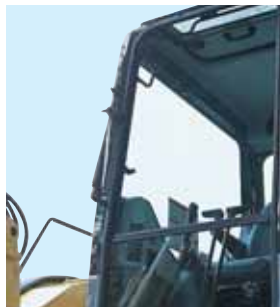


Suspension seat with retractable seat belt

Upper-rail type sliding door opens and closes smoothly



Housing the wiper motor has greatly improved visibility



Monitor panel improves visual confirmation ability

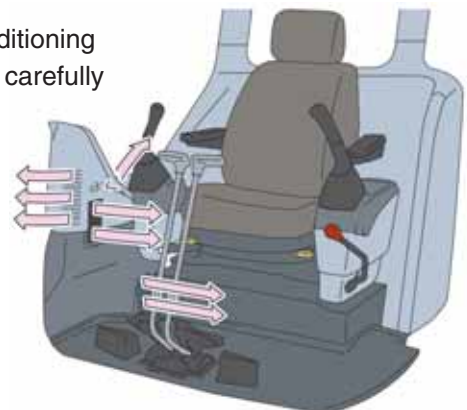


Better dump visibility



Cup holder

Large capacity air conditioning system combined with carefully placed vents provides optimum cool air flow.



# EASY MAINTENANCE

Engine hood can be opened and closed even in confined areas



Air cleaner with easily replaceable element

Aluminum oil cooler and radiator are corrosion resistant and easy to clean

One fuel system inspection window for fast and easy maintenance



Wide-opening side hood makes everyday inspections easier



Large and accessible toolbox

Main valve can be easily inspected

Window washer tank is easy to check and refill

Smaller and longer lasting hydraulic oil filter (Ecowhite element)

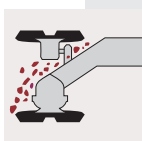
Battery inspection window enables instant check of liquid level

Work equipment greasing interval is 250 h (100 h for armtop only)

Large fuel filler with strainer

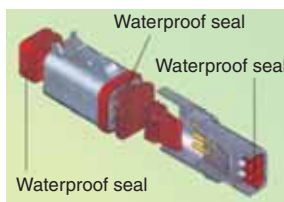


Larger opening reduces fuel back splash.



**Inclining track frame**

The track frame is sloped so that dirt will not accumulate and can be removed easily.



**DT connector**

Water-resistant DT connectors ensure higher reliability.



**Face seal**

O-ring face seals having high sealing performance are used for the hydraulic piping joints.

# LIFTING CAPACITY

**PC78MR-6**

Arm: 1.650 mm Bucket width: 650 mm Shoe width: 450 mm Blade on ground

Unit: kg

	1,5 m		3,0 m		4,5 m		Maximum	
	Cf	Cs	Cf	Cs	Cf	Cs	Cf	Cs
5,0 m							*1.590	1.360
3,0 m			*2.680	2.450	*1.955	1.230	*1.865	820
0,0 m			*4.725	2.000	*3.140	1.070	*2.390	760
- 2,0 m	*6.040	1.100	*4.890	2.070			*3.060	1.210

**PC78MR-6**

Arm: 1.650 mm Bucket width: 650 mm Shoe width: 450 mm Blade on ground Additional counterweight

Unit: kg

	1,5 m		3,0 m		4,5 m		Maximum	
	Cf	Cs	Cf	Cs	Cf	Cs	Cf	Cs
5,0 m							*1.590	1.435
3,0 m			*2.680	2.550	*1.955	1.300	*1.865	880
0,0 m			*4.725	2.090	*3.140	1.135	*2.390	820
- 2,0 m	*6.040	1.130	*4.890	2.165			*3.060	1.285

**PC78MR-6**

Arm: 2.250 mm Bucket width: 650 mm Shoe width: 450 mm Blade on ground

Unit: kg

	1,5 m		3,0 m		4,5 m		Maximum	
	Cf	Cs	Cf	Cs	Cf	Cs	Cf	Cs
5,0 m							*1.335	1.500
3,0 m					*1.530	1.270	*1.530	690
0,0 m			*4.715	1.960	*2.960	1.050	*2.045	630
- 2,0 m	*4.470	*4.470	*5.380	1.970	*3.020	1.030	*2.615	890

**PC78MR-6**

Arm: 2.250 mm Bucket width: 650 mm Shoe width: 450 mm Blade on ground Additional counterweight

Unit: kg

	1,5 m		3,0 m		4,5 m		Maximum	
	Cf	Cs	Cf	Cs	Cf	Cs	Cf	Cs
5,0 m							*1.320	1.150
3,0 m					*1.530	1.380	*1.530	760
0,0 m			*4.715	2.150	*2.960	1.160	*2.045	710
- 2,0 m	*4.470	*4.470	*5.380	2.160	*3.020	1.140	*2.615	990

\*Load is limited by hydraulic capacity rather than tipping.

Rated loads do not exceed 87% of hydraulic lift capacity or 75% of tipping load.

PC78MR-6						
Bucket capacity	m <sup>3</sup>	0,09	0,12	0,2	0,28	0,34
Without sidecutter	mm	350	450	550	650	750
With sidecutter	mm	450	550	650	750	825

# SPECIFICATIONS



## ENGINE

Model..... S4D95LE-3  
 Type..... Direct injection, water-cooled, emissionised, turbocharged, after-cooled diesel  
 Rated capacity..... 40,5 kW/54 HP at engine speed ..... 1.850 rpm  
 No. of cylinders ..... 4  
 Displacement..... 3,26 ltr  
 Battery ..... 55 Ah  
 Alternator..... 24 V/25 A  
 Starter motor ..... 24 V/3,0 kW



## HYDRAULIC SYSTEM

Type..... HydraulMind. Closed-centre system with load sensing and pressure compensation valves  
 Hydraulic pumps  
 Implement ..... Variable displacement, axial piston  
 Maximum pump flow ..... 2 x 80 ltr/min = 160 ltr/min  
 Swing and blade ..... Fixed displacement gear  
 Maximum pump flow ..... 60 ltr/min  
 Auxiliary Hydraulic flow (opt.)..... 123 ltr/min  
 Relief valve settings  
 Implement ..... 270 kg/cm<sup>2</sup>  
 Swing and blade ..... 210 kg/cm<sup>2</sup>  
 Bucket digging force (ISO)..... 6.250 kg  
 Arm crowd force (ISO) with arm length 1.650 mm ..... 4.230 kg



## SWING SYSTEM

Type..... Hydrostatic  
 Swing speed..... 10,0 rpm  
 180-degree swing width..... 4.085 mm



## DRIVES AND BRAKES

Steering control ..... Two levers with pedals  
 Drive method ..... Fully hydrostatic  
 Hydraulic motors..... Variable displacement, axial piston motors  
 Maximum travel speed: Lo / Hi ..... 2,8 / 4,2 km/h  
 Maximum drawbar pull ..... 6.600 kg  
 Parking brakes..... Mechanical disk



## UNDERCARRIAGE

Track assembly  
 Shoes (each side)..... 39  
 Track tension device..... Grease  
 Rollers  
 Track rollers (each side) ..... 5  
 Carrier rollers (each side) ..... 1  
 Ground pressure..... 0,38 kg/cm<sup>2</sup>



## COOLANT AND LUBRICANT CAPACITY (REFILLING)

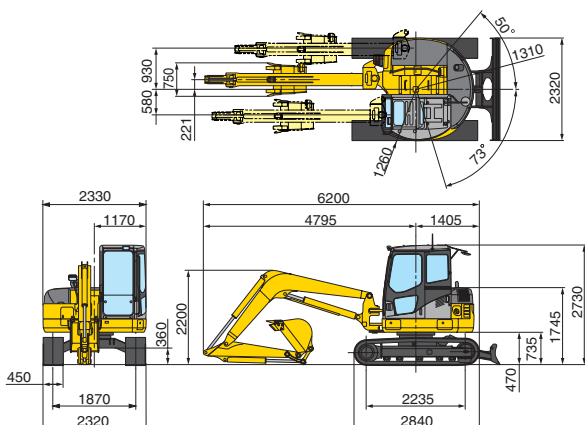
Fuel tank..... 125 ltr  
 Radiator..... 10,5 ltr  
 Engine oil (Refilling)..... 7,5 (7,0) ltr  
 Hydraulic oil (Refilling)..... 110 (64) ltr



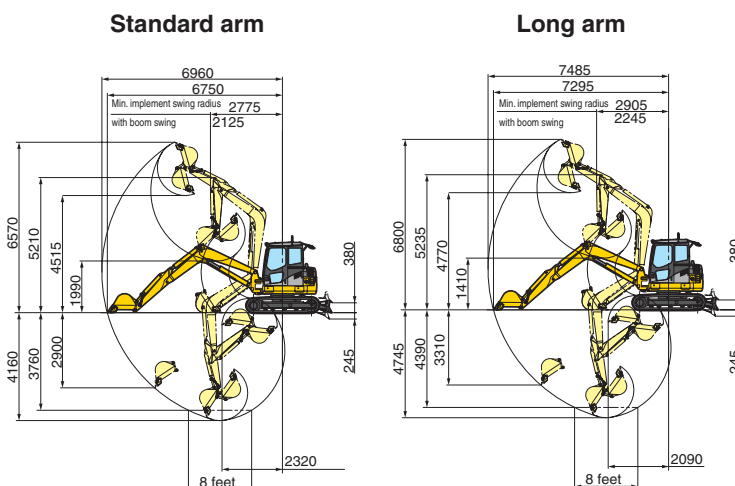
## OPERATING WEIGHT (APPR.)

Operating weight including 1.650 mm arm, bucket with 0,28 m<sup>3</sup> capacity, blade, operator, lubricant, full fuel tank and standard equipment.  
 Operating weight with 450 mm track shoes..... 8.270 kg

## Dimensions



## Working range



# MIDI-EXCAVATOR

## STANDARD EQUIPMENT

- Air cleaner, double element
- Ashtray
- Auxiliary hydraulic piping
- Blade
- Cooling fan, suction type
- Engine sensing system
- Rear view mirror
- Suspension seat
- Travel alarm
- Two mode system
- Water separator
- Window washer, front
- Arm: 1.650 mm arm assembly
- Shoes: 450 mm triple grouser

## OPTIONAL EQUIPMENT

- Additional counterweight
- Air conditioner
- Long arm: 2.250 mm arm assembly
- Shoes: 450 mm Road Liner, 600 mm Triple grouser, 450 mm Rubber shoes



### X-weight

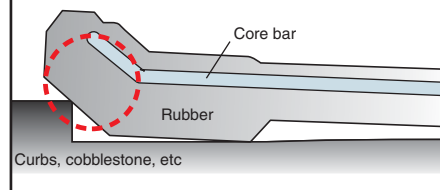
Advanced X-weight design for increased lift capacity and easy installation.



### Road Liner

Ideal performance has been achieved by combining the merits of rubber and the strengths of steel in the new Road Liner shoes. Road Liners can last up to twice as long as rubber tracks under most normal operating conditions. Similar to all rubber tracks, pavement is not easily damaged. Replacement is fast and easy. Wide-ranging cost reductions are possible by replacing only the damaged or worn-out shoes; this is different from replacing a full rubber or steel track.

Reinforced type:  
Rubber thickness has been upgraded using a new type of core bar, and this section that is often sheared has been reinforced.



Manufacturer: Komatsu Utility Europe

Head Office · via Atheste 4 · 35042 Este (Padova) - Italy

Tel. +39 0429 616111 · Fax +39 0429 601000 · [www.komatsueurope.com](http://www.komatsueurope.com) · [utility@komatsu.it](mailto:utility@komatsu.it)

# KOMATSU®

**Komatsu Europe  
International NV**

Mechelsesteenweg 586  
B-1800 VILVOORDE (BELGIUM)  
Tel. +32-2-255 24 11  
Fax +32-2-252 19 81  
[www.komatsueurope.com](http://www.komatsueurope.com)

WESS002802 02/2005

Materials and specifications are subject to change without notice.

**KOMATSU®** is a trademark of Komatsu Ltd. Japan.