

# KOMATSU

## WA600-8



Wheel loader

**Engine power**  
396 kW / 530 HP @ 1800 rpm

**Operating weight**  
54170 - 56740 kg

**Bucket capacity**  
6.4 - 7.8 m<sup>3</sup>

## WA600-8



Engine power

**396 kW / 530 HP @ 1800 rpm**

Operating weight

**54170 - 56740 kg**

Bucket capacity

**6.4 - 7.8 m<sup>3</sup>**

# Increased fuel efficiency and environmental performance

## Powerful and environmentally friendly

- EU Stage V engine
- Komatsu SmartLoader Logic
- Large-capacity torque converter with standard lock-up
- Adjustable auto idle shutdown

## Maximised efficiency

- High efficiency buckets
- Superior dumping height and reach
- Wide tread and long wheelbase



## First-class comfort

- New, air-suspended, heated and ventilated operator seat with integrated EPC lever console
- Large multifunctional monitor
- Rear-view camera system

## State-of-the-art controls

- Automatic digging system
- Electronic Pilot Control (EPC) standard
- Intelligent gas pedal

## Easy maintenance

- Swing-out reversible fan
- Wide core, modular radiator
- Side opening, double swing engine doors

## Komtrax Plus

- Komatsu Wireless Monitoring System
- Increased operational data and fuel savings



A maintenance program  
for Komatsu customers



### **Komatsu fuel-saving technology**

Fuel consumption on the WA600-8 is now up to 13% lower, thanks to the new Komatsu EU Stage V engine with optimised engine power control, a highly efficient power train and a load sensing hydraulic system with variable displacement piston pumps that minimises loss.

### **Large-capacity torque converter with standard lock-up**

With its large-capacity torque converter, the completely redesigned Komatsu drive train offers optimum efficiency and an unparalleled rimpull-to-weight ratio. By delivering high rimpull at low speeds, it makes child's play of heavy jobs like penetration of dense material. This means higher productivity in V-Shape loading, even in confined spaces.

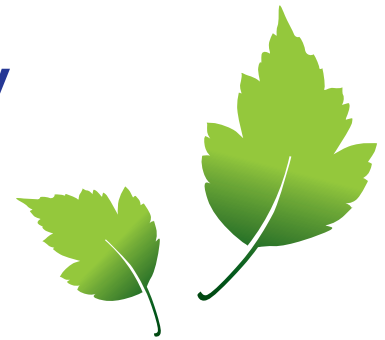
### **Komatsu SmartLoader Logic**

The WA600-8 features Komatsu SmartLoader Logic, a fully automatic engine control system. Without interfering with normal operations, this technology acquires data from various sensors in the vehicle and delivers optimal engine torque for each work phase. It limits torque during less demanding operations and reduces fuel usage without decreasing production.

## Powerful and environmentally friendly

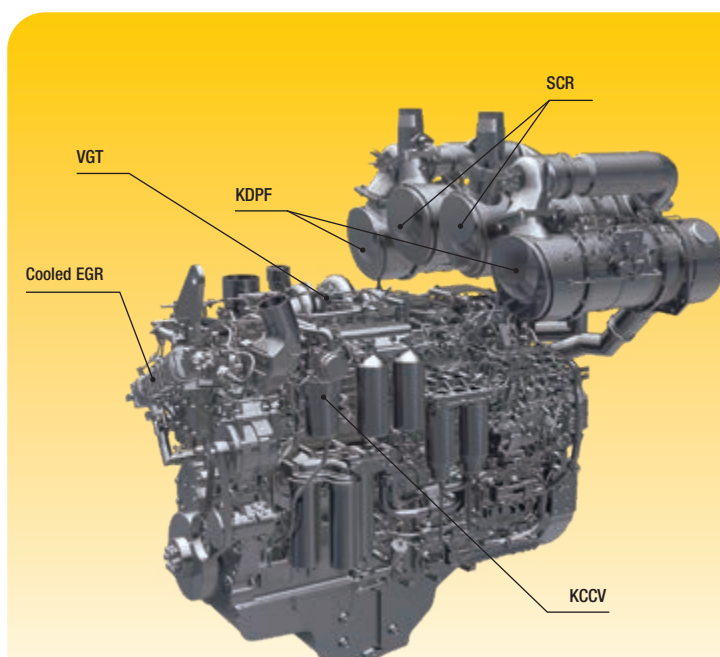
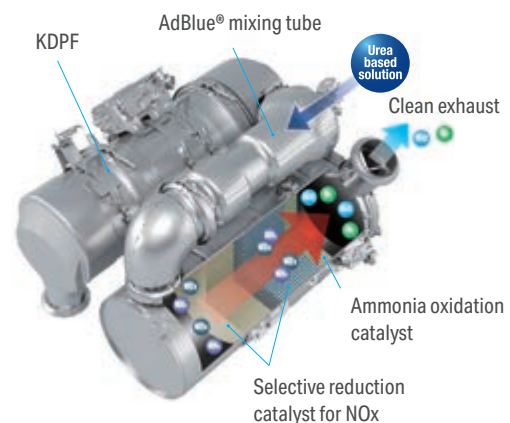
### Komatsu EU Stage V

The Komatsu EU Stage V engine is productive, dependable and efficient. With ultra-low emissions, it provides a lower environmental impact and a superior performance to help reduce operating costs and lets the operator work in complete peace of mind.



### Heavy-duty aftertreatment

The aftertreatment system combines a Komatsu Diesel Particulate Filter (KDPF) and Selective Catalytic Reduction (SCR). The SCR injects the correct amount of AdBlue® into the system at the proper rate to break down NOx into water (H<sub>2</sub>O) and non-toxic nitrogen gas (N<sub>2</sub>). NOx emissions are reduced by 80% vs. EU Stage IIIB engines.



#### High-Pressure Common Rail (HPCR)

To achieve complete fuel burn and lower exhaust emissions, the heavy-duty High-Pressure Common Rail fuel injection system is computer controlled to deliver a precise quantity of pressurised fuel into the redesigned engine combustion chamber by multiple injections.

#### Exhaust Gas Recirculation (EGR)

Cooled EGR is a technology well-proven in current Komatsu engines. The increased capacity of the EGR cooler now ensures very low NOx emissions and a better engine performance.

#### Komatsu Closed Crankcase Ventilation (KCCV)

Crankcase emissions (blow-by gas) are passed through a CCV filter. The oil mist trapped in the filter is returned back to the crankcase while the filtered gas is returned to the air intake.

#### Variable Geometry Turbo (VGT)

The VGT provides optimal airflow to the engine combustion chamber under all speed and load conditions. Exhaust gas is cleaner, fuel economy is improved while machine power and performance are maintained.

## Maximised efficiency

### Faster Load & Carry

The sequential torque converter lock-up system delivers unbeatable productivity and fuel efficiency in Load & Carry and short distance transport applications. The operator can engage the system from 2nd to 4th gear. It noticeably increases travel speed, particularly when going uphill, thanks to the larger tractive force. It also significantly reduces fuel consumption by eliminating converter losses.

### Superior dumping height and reach

The long lifting frame allows an enormous dumping height of 3915 mm and a reach of 1885 mm that is just as impressive (with a 7.0 m<sup>3</sup> bucket, measured to the cutting edge). With this working range, loading high feeders or trucks becomes easy and fast.

### Precision control

Komatsu's CLSS hydraulics enables extremely precise control of the work equipment, and ensures that the bucket, boom and hydraulically driven attachments can all move smoothly at the same time. The WA600-8 also features variable-displacement pumps on both the hydraulic and steering systems. These pumps deliver the exact amount of oil required, dramatically improving fuel efficiency.



#### New high efficiency buckets

Soil slips easily from the redesigned bucket, and digging work is more efficient. Operations are easier and productivity improved, especially in combination with the new auto digging system.



#### New automatic digging system

The new automatic digging system actuates the bucket tilt and lifting operations by detecting the sensing pressure applied to the work equipment. This system greatly reduces operator's fatigue and ensures an ideal loading capacity.





## First-class comfort

### Increased comfort

In the wide Komatsu SpaceCab™, a standard air-suspended high-back seat, heated and ventilated for improved comfort and with fully adjustable armrests, is the centre of a comfortable and low-fatigue working environment. High visibility and ergonomic controls further assist to maximise the operator's productivity.

### Perfect operator convenience

In addition to the standard radio, the WA600-8 has an auxiliary input for connecting external devices and play music through the cab speakers. Two 12-volt power ports are also incorporated in the cab. Proportional controls are fitted as standard for safe and precise operation of attachments.

### Advanced monitoring system

The WA600-8 has a machine monitoring system that manages all essential functions. Specific settings can be saved in the attachment management program to speed up work in applications requiring a frequent change of buckets or other attachments.





## State-of-the-art controls

### New, fully air suspended operator station

The wide spacious cab features a new, fully air suspended operator seat that includes the side consoles mounted together with a standard high back fully adjustable seat, heated and ventilated for improved comfort.

### “By Wire” operating

The Electronic Pilot Control (EPC) lever console is integrated with the seat and can be easily adjusted to suit any operator. The short levers are fingertip controlled for precise and fatigue-free operating, with a no-vibration modulating function for slowing and stopping a lowering bucket. The upper and lower boom cut-out position can be pre-set with a switch.

### Auto-kickdown

The WA600-8 can automatically shift down from F2 to F1 to make operations easier and more productive.

### Intelligent gas pedal

To reduce fuel usage, Komatsu’s innovative thrust-sensing gas pedal automatically helps you match the timing of gear shifts to the load. In heavy-duty work, requiring high rimpull and maximum acceleration, we tend to press heavily on the gas pedal. The WA600-8 anticipates this and shifts up gears as late as possible. In light-duty work, where fuel consumption is a major factor, the operator will intuitively press the gas pedal lightly. Again, the machine anticipates this – and shifts up gears as early as possible to achieve highest fuel efficiency.

### Variable traction control system

In limited traction situations, such as on sandy or muddy grounds, the operator can reduce slippage by activating the variable traction control system. Optimum rim pull is adjusted with a control knob from 100% to 20%.

### Rear view camera

A standard fitment camera gives an exceptionally clear view of the rear work zone on the wide-screen colour monitor panel. The low profile camera is adjustable and integrated into the engine hood’s shape.

### Advanced Joystick Steering System (AJSS)

The advanced “feedback” steering system allows both steering and directional selection to be controlled by wrist and finger. With the feedback function, the machine steering angle is exactly the same angle as the lever tilt angle.

### Engine RPM set system with auto deceleration

Low idle RPM can be preset easily with a push button. The system provides auto deceleration for reduced fuel consumption.



Auxiliary input (MP3 jack) and two 12-volt power ports



Hot and cool box



Advanced joystick steering system



**Lower operating costs**

Komatsu ICT contributes to the reduction of operating costs by assisting to comfortably and efficiently manage operations. It raises the level of customer satisfaction and the competitive edge of our products.

**Large TFT colour monitor**

A large user-friendly colour monitor enables safe, accurate and smooth work. Multilingual and with all essential information available at a glance, it features simple and easy-to-operate switches and multifunction keys that provide fingertip access to a wide range of functions and operating information.

**Eco guidance**

The monitor panel displays instant guidance messages to help promote energy saving, and the Eco-gauge indicates the actual fuel consumption: keep the Eco-gauge in the green zone for better fuel efficiency. To further improve savings, logs can be consulted for operations, Eco guidance and fuel consumption.



Information at a glance: basic dashboard LCD monitor



A multifunction monitor displays and controls a wealth of operational and maintenance information



Eco guidance supports energy saving in real time

## Information & communication technology



### What

- Komtrax is Komatsu's remote equipment monitoring and management system
- Komtrax continuously monitors and records machine health and operational data
- Information such as fuel consumption, utilization, and a detailed history aids in making repair or replacement decisions

### When

- Know when your machines are running or idling and make decisions that will improve your fleet utilization
- Detailed movement records ensure you know when and where your equipment is moved
- Up to date records allow you to know when maintenance was done and help you plan for future maintenance needs

### Where

- Komtrax data can be accessed virtually anywhere through your computer, the web or your smart phone
- Automatic alerts keep fleet managers up to date on the latest machine notifications

### Why

- Knowledge is power - make informed decisions to manage your fleet better
- Knowing your idle time and fuel consumption will help maximize your machine efficiency
- Take control of your equipment - any time, anywhere

### Who

- Komtrax is standard equipment on all Komatsu construction products

## KOMTRAX Plus

### Equipment management support

Komtrax Plus enables expanded monitoring of the fleet via satellite and wireless LAN. Users can analyze "machine health" and performance from a remote location, on a near-real time basis. This includes component condition and trend data. By making this critical information readily accessible, Komtrax Plus is an effective tool in maximizing productivity and lowering operating cost.



## Easy maintenance



### Easy access to service points

Large double swing doors give a convenient access to all daily service points. With long service intervals and filters collected in a centralised arrangement, machine downtime is reduced to a minimum.

### Diesel particulate filter regeneration

No interruption or extension of daily work is required to regenerate the diesel particle filter system. Due to its superior Komatsu technology, KDPF regeneration takes place automatically, at any time.

### AdBlue® tank

The AdBlue® tank is located on the right hand side of the machine behind a ladder for easy access.



### Modular design wide core radiator with reversible fan

The wide core modular radiator prevents clogging even in a dusty work environment. To minimize manual cleaning, a reversible fan blows the dust out. The radiator core can be removed without the entire assembly, keeping repair costs down.

### Equipment Management and Monitoring System (EMMS)

The large high resolution monitor panel displays various machine information and allows for multiple settings. The "Operation Records" menu shows records of the average fuel consumption, idling hours, and other features. Abnormality codes are clearly displayed and stored to alert you and simplify troubleshooting. The monitor also provides for advanced monitoring of the system parameters through the Service Mode to aid in troubleshooting and reduce downtime.



Basic maintenance screen



Aftertreatment device regeneration screen for the KDPF



AdBlue® level gauge and refill guidance

### Komatsu Care

Komatsu Care is a maintenance program that comes as standard with your new Komatsu machine. It covers factory-scheduled maintenance, performed with Komatsu Genuine parts by Komatsu-trained technicians. Depending on your machine's engine, it also offers extended coverage of the Komatsu Diesel Particulate Filter (KDPF) and of the Selective Catalytic Reduction (SCR). Please contact your local Komatsu distributor for terms and conditions.

## Komatsu quality & safety

### Designed and built by Komatsu

The engine, hydraulics, power train, front and rear axles are original Komatsu components. All these components are subject to the highest quality standards right down to the smallest screw.

### Wet multi-disc service brake

The multi-disc service brake is encapsulated and runs in an oil bath. The brake stays clean and operates at low temperature for increased service intervals and a long lifetime. The braking system uses two independent hydraulic circuits, for added reliability.

### Robust torsion-resistant main frame

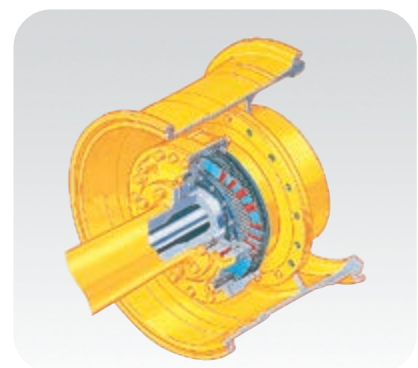
The frame design with hinge points far apart guarantees the high stability for the overall construction and reduces bearing stress in the torsional ranges.

### Heavy-duty axles

The heavy-duty axles allow exceptional service life even under the toughest working conditions.



Robust torsion-resistant main frame



Wet multi-disc service brake

# Specifications

## Engine

Model	Komatsu SAA6D170E-7
Type	Common rail direct injection, water-cooled, emissionised, turbocharged, after-cooled diesel
Engine power	
at rated engine speed	1800 rpm
ISO 14396	396 kW/530 HP
ISO 9249 (net engine power)	395 kW/529 HP
No. of cylinders	6
Bore × stroke	170 × 170 mm
Displacement	23.15 l
Fan drive type	Hydraulic
Alternator	140 A/24 V
Starter motor	2 × 11 kW/24 V
Filter	Full-flow type
Air filter type	Dry-air filter with automatic dust emission and preliminary purification including a dust display
Fuel	Diesel fuel, conforming to EN590 Class 2/Grade D. Paraffinic fuel capability (HVO, GTL, BTL), conforming to EN 15940:2016

## Transmission

Type	Automatic powershift transmission
Torque converter	3-element, 1-stage, 2-phase, with lock-up clutch

## Speeds in km/h (with 35/65-33 tyres)

Gear	1.	2.	3.	4.
Forward (with lock-up)	6.7	11.7 (12.4)	20.3 (21.7)	33.8 (37.7)
Reverse (with lock-up)	7.3	12.8 (13.5)	22.0 (23.7)	37.0 (41.0)

## Chassis and tyres

System	4-wheel drive
Front axle	Fixed, full-floating
Rear axle	Center-pin support, full-floating, 22° total oscillation
Reduction gear	Spiral bevel gear
Differential gear	Conventional type
Final drive	Planetary gear in an oil bath
Tyres	35/65-33

## Brakes

Operating brakes	Hydraulically actuated, wet multi-disc brakes on all wheels
Parking brake	Wet multi-disc
Emergency brake	Uses the parking brake

## Hydraulic system

Type	Komatsu CLSS (Closed Centre Load Sensing System)
Hydraulic pump	Variable piston pump
Working pressure	350 kg/cm <sup>2</sup>
Maximum pump flow	239 + 239 l/min
No. of hydraulic/bucket cylinders	2/1
Type	Double-action
Bore diameter × stroke	
Boom cylinder	200 × 1067 mm
Bucket cylinder	225 × 776 mm
Hydraulic cycle with rated load bucket filling	
Raise time	8.7 s
Lowering time (empty)	4.1 s
Dumping time	2.3 s

## Steering system

System	Articulated frame steering
Steering angle to either side	43°
Steering pump	Variable piston pump
Working pressure	350 kg/cm <sup>2</sup>
Pumping capacity	163 l/min
No. of steering cylinders	2
Type	Double-action
Bore diameter × stroke	115 × 510 mm
Smallest turn (outer edge of the tyre 26.5 R25)	7075 mm

## Cabin

Two-door SpaceCab™ in conformity with ISO 3471 with ROPS (roll over protective structure) in conformity with SAE J1040c and FOPS (falling object protective structure) in conformity with ISO 3449. The air-conditioned pressurised cabin is mounted upon viscous mounts and is noise dampened.

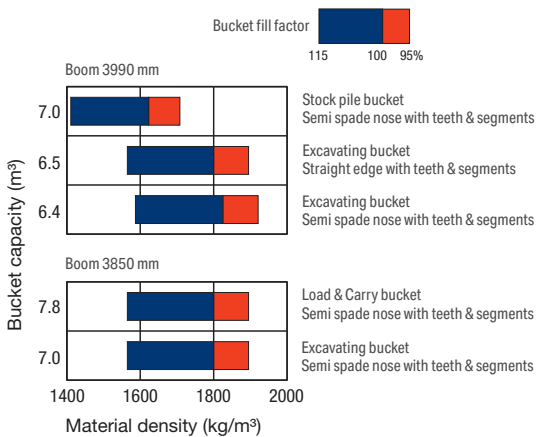
## Service refill capacities

Fuel tank	718 l
Engine oil	86 l
Hydraulic system	443 l
Cooling system	150 l
Front axle	185 l
Rear axle	195 l
Transmission case	78 l
AdBlue® tank	39.7 l

## Environment

Engine emissions	Fully complies with EU Stage V exhaust emission regulations
Noise levels	
LwA external	111 dB(A) (2000/14/EC Stage II)
LpA operator ear	73 dB(A) (ISO 6396 dynamic test)
Vibration levels (EN 12096:1997)	
Hand/arm	≤ 2.5 m/s <sup>2</sup> (uncertainty K = 0.27 m/s <sup>2</sup> )
Body	≤ 0.5 m/s <sup>2</sup> (uncertainty K = 0.28 m/s <sup>2</sup> )
Contains fluorinated greenhouse gas HFC-134a (GWP 1430). Quantity of gas 0.9 kg, CO <sub>2</sub> equivalent 1.29 t.	

## Bucket selection guide



## Typical material density - loose (in kg/m<sup>3</sup>)

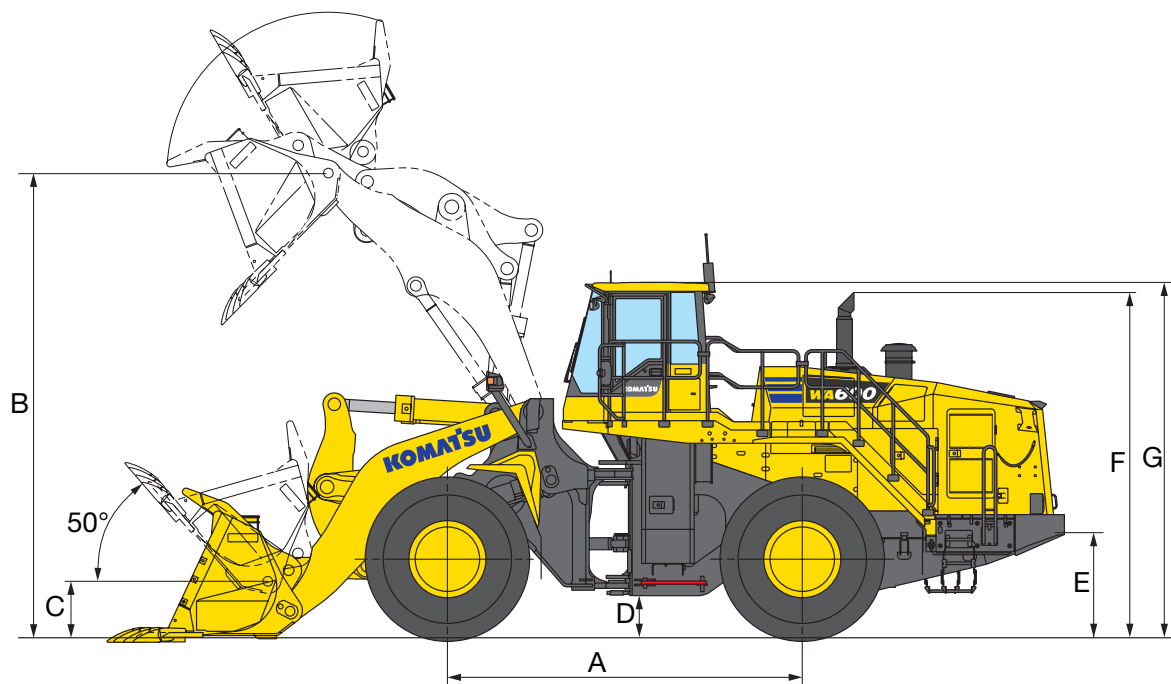
Basalt	1960	Sand, damp	1690
Bauxite, kaolin	1420	Sand, wet	1840
Earth, dry, ex store	1510	Sand and clay, loose	1600
Earth, wet, excavated	1600	Sand and gravel, dry	1720
Gypsum, broken	1810	Sandstone	1510
Gypsum, crushed	1600	Slate	1250
Granite, broken	1660	Slag, broken	1750
Limestone, broken	1540	Stone, crushed	1600
Limestone, crushed	1540	Clay, natural	1660
Gravel, unscreened	1930	Clay, dry	1480
Gravel, dry	1510	Clay, wet	1660
Gravel, dry, 6 - 50 mm	1690	Clay and gravel, dry	1420
Gravel, wet, 6 - 50 mm	2020	Clay and gravel, wet	1540
Sand, dry, loose	1420		

## Dimensions and performance figures

### Measurements and working specifications

	Boom 3990 mm	Boom 3850 mm
Tread	2650 mm	2650 mm
Width over tyres	3590 mm	3590 mm
A Wheel base	4500 mm	4500 mm
B Hinge pin height	5885 mm	5665 mm
C Hinge pin height, carry position	720 mm	670 mm
D Ground clearance	525 mm	525 mm
E Hitch height	1320 mm	1320 mm
F Overall height, top of the stack	4375 mm	4375 mm
G Overall height, cab	4500 mm	4500 mm

Dimensions with 35/65-33-36PR (L-4) tyres





Measurements and working specifications

	Boom 3990 mm					Boom 3850 mm				
	Excavating bucket			Stock pile bucket	Heavy-duty bucket	Excavating bucket			Load & Carry bucket	
	Spade nose teeth and BSE <sup>1)2)</sup>	Straight edge teeth and BSE <sup>2)</sup>	Straight edge B.O.C. <sup>3)</sup>	Spade nose teeth and BSE <sup>1)2)</sup>	Spade nose teeth and BSE <sup>2)</sup>	Spade nose teeth and BSE <sup>1)2)</sup>	Straight edge teeth and BSE <sup>2)</sup>	Straight edge B.O.C. <sup>3)</sup>	Spade nose teeth and BSE <sup>1)2)</sup>	
Bucket capacity	heaped	6.4 m <sup>3</sup>	6.5 m <sup>3</sup>	6.5 m <sup>3</sup>	7.0 m <sup>3</sup>	6.4 m <sup>3</sup>	7.0 m <sup>3</sup>	7.0 m <sup>3</sup>	7.0 m <sup>3</sup>	7.8 m <sup>3</sup>
	struck	5.3 m <sup>3</sup>	5.4 m <sup>3</sup>	5.4 m <sup>3</sup>	5.8 m <sup>3</sup>	5.3 m <sup>3</sup>	5.8 m <sup>3</sup>	5.8 m <sup>3</sup>	5.8 m <sup>3</sup>	6.6 m <sup>3</sup>
Bucket width		3805 mm	3685 mm	3685 mm	3805 mm	3806 mm	3805 mm	3685 mm	3685 mm	3805 mm
Bucket weight		5434 kg	5020 kg	4745 kg	5594 kg	5405 kg	5594 kg	4865 kg	4875 kg	5791 kg
Dumping clearance, max. height and 45° dump angle <sup>3)</sup>		3965 mm	4180 mm	4365 mm	3915 mm	3930 mm	3700 mm	3905 mm	4105 mm	3615 mm
Reach at max. height and 45° dump angle <sup>3)</sup>		1835 mm	1610 mm	1460 mm	1885 mm	1820 mm	1915 mm	1690 mm	1550 mm	2000 mm
Reach at 2130 mm clearance and 45° dump angle		3030 mm	2875 mm	2765 mm	3065 mm	3000 mm	2920 mm	2775 mm	2670 mm	2970 mm
Reach with arm horizontal and bucket level		4175 mm	3870 mm	3630 mm	4245 mm	4185 mm	4105 mm	3800 mm	3560 mm	4225 mm
Operating height (fully raised)		7925 mm	7925 mm	7925 mm	8040 mm	7925 mm	7280 mm	7775 mm	7775 mm	7885 mm
Overall length		12145 mm	11840 mm	11600 mm	12215 mm	12550 mm	12030 mm	11725 mm	11485 mm	12050 mm
Loader clearance circle diameter (bucket at carry, outside corner of bucket)		17050 mm	17060 mm	16900 mm	17090 mm	17050 mm	16770 mm	16920 mm	16765 mm	16990 mm
Digging depth:	0°	130 mm	135 mm	105 mm	130 mm	170 mm	130 mm	140 mm	100 mm	130 mm
	10°	530 mm	480 mm	410 mm	540 mm	565 mm	540 mm	495 mm	410 mm	560 mm
Static tipping load:	straight	38790 kg	38225 kg	39510 kg	38620 kg	38825 kg	38400 kg	39140 kg	39130 kg	42150 kg
	43° full turn	33160 kg	33530 kg	33775 kg	33020 kg	33190 kg	33250 kg	33850 kg	33840 kg	36300 kg
Breakout force		387 kN	448 kN	447 kN	375 kN	387 kN	378 kN	433 kN	432 kN	355 kN
		39500 kg	45685 kg	45580 kg	38200 kg	39500 kg	38600 kg	44150 kg	44050 kg	36300 kg
Operating weight		55740 kg	55325 kg	55050 kg	55900 kg	55710 kg	54900 kg	54170 kg	54180 kg	56740 kg

<sup>1)</sup> New shape bucket. <sup>2)</sup> Bolt-on segment edges. <sup>3)</sup> At the end of tooth or bolt-on cutting edge (B.O.C.).

All dimensions, weights, and performance values based on SAE J732c and J742b standards. Static tipping load, operating weight and overall length shown include lubricant, coolant, full fuel tank, ROPS cab and operator. Machine stability and operating weight affected by counterweight, tyre size, and other attachments.

Change in data caused by:

Tyres	Operating weight	Tipping load straight		Tipping load full turn		Width over tyres	Ground clearance	Overall height
		Boom 3990 mm	Boom 3850 mm	Boom 3990 mm	Boom 3850 mm			
	kg	kg	kg	kg	kg	mm	mm	mm
35/65-33-36PR (L-5)	+1000	+715	+740	+620	+640	3590	525	0
35/65-33-42PR (L-4)	+20	+10	+10	+10	+10	3605	525	0
35/65-R33 (L-4)	-780	-565	-585	-485	-500	3615	460	-65
35/65-R33 (L-5)	-235	-175	-180	-150	-150	3615	460	-65

# Standard and optional equipment

## Engine

Komatsu SAA6D170E-7 turbocharged common rail direct injection diesel engine	●
EU Stage V compliant	●
Engine mode selection system: Power, Economy	●
Komatsu SmartLoader Logic	●
Adjustable auto idle shutdown	●
Auto-deceleration function	●
Fuel filter with water separator	●
Batteries 2 × 200 Ah/2 × 12 V	●

## Transmission and brakes

Electronically controlled ECMV automatic transmission with mode selector and variable transmission cut-off	●
Transmission shift mode selection system	●
Large-capacity torque converter	●
Torque converter lock-up	●
Variable traction control system	●
Auto-kickdown	●
Power train underguard	●
Brake cooling system (front & rear)	○

## Chassis and tyres

Full floating axles	●
Front fenders	●
Bias and radial ply tyres	○
Large bore tyre valves	○

## Hydraulic system

2-spool main control valve	●
EPC fingertip control, two levers, including:	
- Bucket stop modulation	●
- Boom stop pre-setting	
Automatic return-to-dig	●
Automatic digging system	●

## Cabin

Spacious double door driver's cab to DIN/ISO	●
ROPS/FOPS frame according to ISO 3471/3449	●
Advanced joystick steering system	●
Heated and ventilated, high back air suspension seats with pneumatically adjustable lumbar support, console mounted height adjustable arm rests	●
3-point seat belt	●
Automatic climate control system	●
Multi-function colour monitor with Equipment Management and Monitoring System (EMMS) and efficiency guidance	●
Payload meter	●
CD radio w. auxiliary input (MP3 jack)	●
Hot and cool box	●
Heated rear window	●
Rear window wiper	●
2 × 12 V power supply	●
Sun visor	●
Steering wheel with adjustable steering column	○

## Service and maintenance

Hydrostat-driven radiator fan with manual reversing function	●
Modular design wide core radiator	●
In-line filters, steering and hydraulic system	●
Komtrax Plus – Komatsu wireless monitoring system	●
Komatsu Care – a maintenance program for Komatsu customers	●
Tool-set	●
Automatic central lubrication	○
Provision for fast fuel fill	○

## Lighting system

2 halogen main headlights	●
2 LED spotlights at front and rear	●
LED reversing light	●
LED stop and tail light	●
Step light	●

## Safety equipment

Emergency steering system	●
Vandalism protection	●
Back-up alarm	●
Electric horn	●
Battery main switch	●
Handrails on left/right	●
Rear access stairs	●
Rear view mirrors	●
Rear-view camera system	●
Fire extinguisher	○
Beacon light, amber color	○



A wide range of buckets and attachments is available. Your Komatsu distributor is ready to assist you with the selection of suitable options.

## Attachments

Boom 3900 mm	●
Boom 3850 mm	○
Spade nose rock buckets	○
Straight edge rock buckets	○
Special buckets on request	○

## Other equipment

Electronically controlled load stabilizer (ECSS II)	●
Counterweight 1890 kg	●
Load & Carry specification	○
Add. counterweight for Load & Carry specification 857 kg	○
Cold area kit (engine and cab pre-heating)	○
Special custom colour	○

Further equipment on request

- standard equipment
- optional equipment

This specification sheet may contain attachments and optional equipment that are not available in your area. Please consult your local Komatsu distributor for those items you may require.

Materials and specifications are subject to change without notice.

---

Your Komatsu partner:

**KOMATSU**

[komatsu.eu](https://www.komatsu.eu)

