

# KOMATSU

*Utility*

WA  
65



WA65-3

WA65-3/PT-3

WHEEL LOADER

**NET HORSEPOWER**  
37 kW 50 PS

**OPERATING WEIGHT**  
4.260 kg

**BUCKET CAPACITY**  
0,55 - 1,1 m<sup>3</sup>

# AT A GLANCE

The new, compact wheel loaders WA65-3 and WA65PT-3: are more comfortable, easier to maintain and more efficient in its daily operations. Available with delta (WA65-3) or parallel (WA65PT-3) linkage for industrial applications. Perfect comfort when operating, but also a harmonious design with high performance and power, give these compact wheel loaders outstanding qualities. With a hydraulic quick coupler and the comprehensive Komatsu range of attachments, there are hardly any limits to the range of uses to which the vehicle can be put.



Perfect for industrial applications:  
The version with *parallel linkage*  
(WA65PT-3)

Simple changing of attachments by means  
of *hydraulic 4-point quick coupler*.  
(Page 5)

*Delta boom* (WA65-3)  
and wide, full-length front  
windscreen for an outstanding  
view of work equipment  
and tyres. (Page 4)

Maximum flexibility in using the  
comprehensive range of Komatsu  
*Original Attachments*.  
(Page 5)

*Limited-slip differentials* fitted as standard equipment  
in both axles and *radial tyres* ensure optimum traction.

# WA65-3

## WHEEL LOADER

**NET HORSEPOWER**  
37 kW 50 PS

**OPERATING WEIGHT**  
4.260 kg

**BUCKET CAPACITY**  
0,55 - 1,1 m<sup>3</sup>



*Sliding windows* fitted as standard and a high-performance (optional) air conditioner ensure an optimum climate in the cab.

Simple operation by means of a servo-controlled *multi-function lever*. (Page 4)



Smooth-running, 4-cylinder *Komatsu emissionized engine*. Holding the „Blue Angel“ award on account of its outstanding quietness. (Page 4)

*Hydrostatic transmission* for evenly-balanced, high penetration power, and a maintenance-free brakes.

*Rounded rear* with wide, angled counterweight make for optimum visibility and easy material stock piling.

# WA65-3 Wheel loader



**The driver's cab – driver comfort is comparable with a car**  
Working conditions which are as pleasant as possible for the driver: easily-read, logically arranged gauges and switches, PPC hydraulic system and a multi-function lever all contribute, as do the ergonomically-designed driver's seat and the perfectly-designed fresh air intakes, to maximum driver comfort. Attention to detail, such as the sliding window fitted as standard on the right, completes the driver-friendly picture.

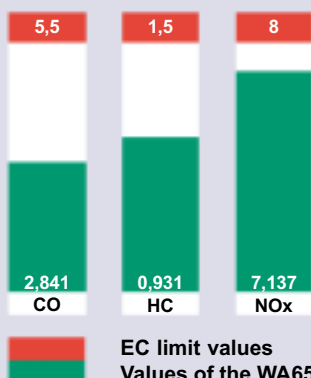


**The delta boom – everything is within eyeshot**  
For the standard and the WA65PT version the shape of the parallel linkage boom provides excellent vision of the attachments and wheels. Optimum working conditions, even on complicated jobs, and attachment changes which only take seconds are guaranteed.



**Service & maintenance – child's play**  
Optimum engine accessibility from three sides thanks to the wide opening of the engine-cover. The completely-sealed multiple wet disc brakes operate in an oil-bath and are maintenance free. Automatic central lubrication, available as a special option, reduces daily maintenance to an absolute minimum.

Exhaust gas limit values in g/kWh as per ISO 8178



## Environmentally friendly – inside and out

Both internal and external noise levels of the engine are among the lowest in this class, and it has been awarded the „Blue Angel Award“ due to its very quiet operation. It goes almost without saying that the 4-cylinder Komatsu emissionized engine is outstanding in fuel economy and smoothness of running, and meets the EC Stage II limit values with plenty to spare.

# ATTACHMENTS

The Komatsu compact wheel loader demands attention through its incredible versatility. Whether it is used in structural civil engineering, road construction, agriculture, forestry or the timber industry, in landscaping companies and nurseries or in community services, the right solution is always available for your requirements.

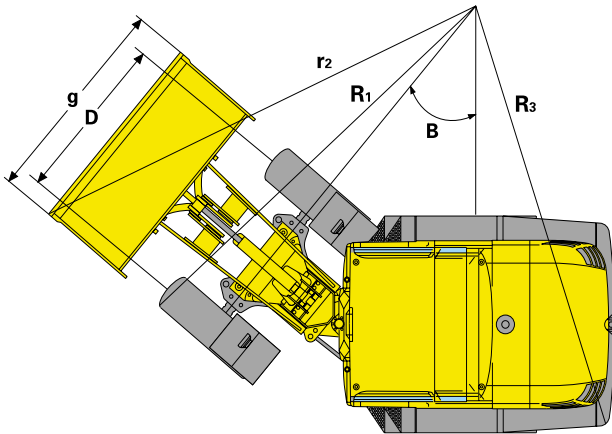
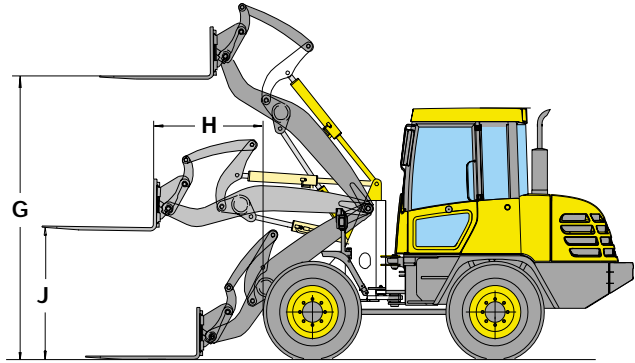
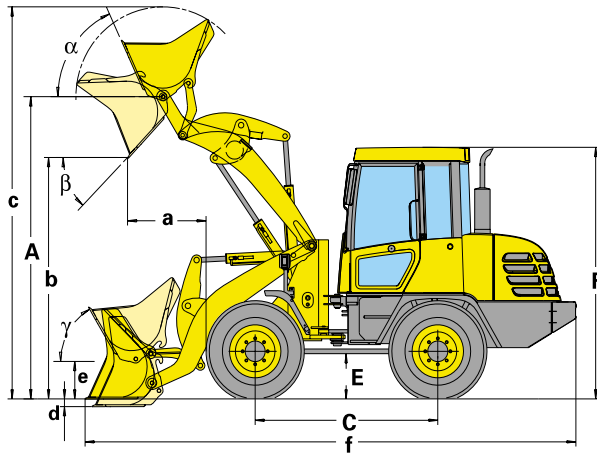
The standard equipment 4-point quick-coupler guarantees the machine's versatility and thus makes possible high-intensity operation. The coupler is also compatible with other brands, allowing these, too, to be used without problems.

Examples from the comprehensive range of original attachments are:

- Earth-moving bucket
- Light material bucket
- High dump bucket
- Mulch grab bucket
- Fork carrier and tines
- Telescopic crane arm
- 4-in-1 bucket
- Side dump bucket
- Skeleton bucket
- Sweeper



# DIMENSIONS & WORKING VALUES



WA65-3:      WA65PT-3:  
 α: 65°      α: 51°  
 β: 47°      β: 48°  
 γ: 50°      γ: 50°

values in brackets ( ): WA65PT-3

Dimensions – Main features		
A	Centre hinge pin height	3.115 mm
R1	Turning radius	3.640 mm
R3	Turning radius	3.700 mm
B	Articulation angle	40°
C	Wheelbase	1.950 mm
D	Track width	1.450 mm
E	Ground clearance	395 [290] mm
F	Overall height	2.590 mm

Dimensions – with fork tines		
G	Max. stacking height	2.915 mm
H	Max. reach	1.215 mm
J	Height of fork at max. reach	1.375 mm
	Max. tipping load, straight ISO 8313	2.730 [2.700] kg
	Max. tipping load, articulated	2.630 [2.300] kg
	Max. payload as per EN 474-3, 80%	1.800 kg
	Max. payload as per EN 474-3, 60%	1.410 kg [1.370] kg

(Fork carrier and tines in standard version. When using with fork carrier and tines, use of bolt-on counterweight is recommended)

Working values – use of buckets *					
Bucket type		Universal bucket	Lightmaterial bucket	Universal bucket (4-in-1)	Highdump bucket
Bucket (contents heaped)	m <sup>3</sup>	0,7	1,0	0,55	1,1
Dumping weight	t/m <sup>3</sup>	1,8	1,35	1,8	0,9
Bucket weight without teeth	kg	285	380	485	690
Stat. tipping load, straight	kg	3.500 [3.385]	3.270 [3.195]	3.030 [2.870]	2.640 [2.290]
Stat. tipping load, 40° articulated	kg	3.050 [2.880]	2.840 [2.690]	2.550 [2.400]	2.165 [1.890]
Max. breakout force	kN	39,8 [40,3]	34,3 [34,0]	35,9 [36,9]	18 [17,9]
Max. lifting capacity	kN	33,3 [36,7]	32,9 [36,0]	32,5 [36,2]	31 [25,8]
Operating weight	kg	4.260	4.355	4.460	4.665
a Reach at 45°	mm	780	840	810	1.395**
b Dumping height at 45°	mm	2.505	2.415	2.430	3.750**
c Height bucket top edge	mm	4.020	4.020	3.880	5.065
d Digging depth	mm	90	120	120	120
e Height bucket transport	mm	340	340	340	340
f Overall length	mm	5.115	5.235	5.335	5.905
g Bucket width	mm	1.850	2.100	1.850	1.850
r2 Turning radius over bucket	mm	4.020	4.180	4.050	4.320

\* All data with 365/70 R18 SPT9 tyres

\*\* at max. dump angle

# TECHNICAL DATA



## ENGINE

Type .....	Komatsu 4D 94E
Horsepower .....	37 kW/50 PS (ISO 9249)
at engine speed .....	2.500 rpm
Torque/engine speed .....	max. 165 Nm/ 1.600 rpm
No. of cylinders .....	4
Bore/stroke .....	94/100 mm
Displacement .....	2.775 cc.
Type of combustion .....	Direct injection
Cooling system .....	Dual circuit, liquid coolant, thermostat-controlled
Electrical system .....	12 V
Battery .....	1 × 12 V, 92 Ah
Alternator .....	80 A
Air filter type .....	Dry air filter with pre-filter and safety cartridge



## TRANSMISSION

Hydrostatic transmission, capable of gear shifting in all directions under full power.

Gears	
Forwards/reverse .....	2/2
Travel speeds	
1st gear .....	0 - 5,6 km/h
2nd gear .....	0 - 20 km/h
Option .....	0 - 30 km/h



## CHASSIS AND TYRES

System .....	4-wheel drive
Axles .....	Planetary rigid axles with automatic limited-slip differential in both axles
Articulation .....	Articulated/oscillating joint
Articulation angle .....	+/- 12°
Tyres .....	365/70 R18 SPT 9 (standard)
	335/80 R18 SPT 9, Dunlop
	12,5 - 18 MPT
	12,5 - 20 MPT
	365/80 R20 SPT 9
	335/80 R20 SPT 9
	15,5/55 R18 SPT 9



## STEERING SYSTEM

System .....	Articulated frame steering
Type .....	Hydrostatic steering (closed center)
Steering angle to either side .....	40°
Steering pump .....	Gear pump
Working pressure .....	175 bar
Minimum turning radius (outer corner of tyre) .....	3,7 m



## BRAKES

Operating brakes .....	combined inch brake pedal actuates brakes on all four wheels maintenance-free via the hydrostatic drive. Axle-integrated, oil-bath submerged multiple-disc brakes.
Parking brake .....	Mechanically-operated, oil-bath submerged multiple-disc brake.



## HYDRAULIC SYSTEM

System .....	Closed hydraulic system
Working pressure .....	200 bar
Circulating capacity of the hydraulic pump .....	55 l/min
Lifting time .....	5,0 s
Lowering time .....	2,4 s
Dumping time .....	1,0 s



## SERVICE REFILL CAPACITIES

Fuel tank .....	77,0 l
Engine cooling system .....	10,0 l
Engine oil .....	9,4 l
Attachment, steering and motive power hydraulics .....	70,0 l
Front axle .....	6,1 l
Rear axle with transmission gears .....	6,5 l

## STANDARD EQUIPMENT

<ul style="list-style-type: none"> <li>• Delta linkage (WA65-3)</li> <li>• Parallel linkage (WA65PT-3)</li> <li>• Standard bucket 0,7 m<sup>3</sup> (SAE heaped)</li> <li>• Hydraulic 4-point quick coupler</li> <li>• „Return-to-dig“</li> <li>• 3rd control circuit for attachment hydraulics</li> <li>• Hitch</li> <li>• Wide base tyres series 70</li> <li>• Quick-check panel</li> <li>• Two-door safety cab, as per DIN/ISO</li> </ul>	<ul style="list-style-type: none"> <li>• with roof protection ROPS/FOPS</li> <li>• All-round tinted glass</li> <li>• Sliding side-window, on the right</li> <li>• Heated rear window</li> <li>• Adjustable high-comfort operator seat</li> <li>• Safety belt (EC standard)</li> <li>• Heating</li> <li>• PPC hydraulic system</li> <li>• Multi-function lever for transmission/hydraulics</li> <li>• Working hours meter</li> <li>• Temperature indicator for engine cooling system</li> </ul>	<ul style="list-style-type: none"> <li>• Fuel indicator</li> <li>• 2 main lights</li> <li>• 2 each halogen working lights front and rear</li> <li>• 2 turning lights</li> <li>• 2 turning lights, rear</li> </ul> <p>General operating certification, in accordance with German Road Traffic Regulations.</p> <p>The WA65-3 and WA65-3PT are equipped in accordance with the safety regulations of the</p>	<p>machinery guidelines, and corresponds in its exhaust gas emission values with the regulations of the international standard ISO 6393 and EC Stage II regulations.</p> <p>WA65-3: Awarded the Blue Angel on account of quietness in operation: noise values LwA 96 dB(A), LpA 73 dB(A).</p>
--	--	--	---

## OPTIONAL EQUIPMENT

<ul style="list-style-type: none"> <li>• ALS Automatic Load Stabiliser</li> <li>• Over-centre valve</li> <li>• 30 km/h version</li> <li>• Air-conditioner</li> <li>• Additional weights front axle (2 × 70 kg)</li> <li>• Additional counterweight rear (100 kg)</li> <li>• Light materials bucket 1,0 m<sup>3</sup></li> <li>• Universal bucket 0,55 m<sup>3</sup> (4-in-1 bucket)</li> </ul>	<ul style="list-style-type: none"> <li>• Stock pile bucket 1,0 m<sup>3</sup></li> <li>• Mulch grab bucket 0,7 m<sup>3</sup></li> <li>• Side dump bucket 0,7 m<sup>3</sup></li> <li>• High dump bucket 1,1 m<sup>3</sup></li> <li>• Skeleton bucket</li> <li>• Fork carrier and tines</li> <li>• Telescopic crane-arm</li> <li>• Sweeper</li> <li>• Electr. actuation 3rd circuit</li> <li>• QC electr. lock</li> </ul>	<ul style="list-style-type: none"> <li>• Beacon light</li> <li>• Back-up alarm</li> <li>• Cab air safety system</li> <li>• Exhaust gas particles filter</li> <li>• Air-suspended, heated seat</li> <li>• Radio</li> <li>• Turbo III pre-filter</li> <li>• Electronic anti-theft lock</li> <li>• Battery main switch</li> <li>• Bio-hydraulic oil for hydraulic equipment</li> </ul>	<ul style="list-style-type: none"> <li>• Canopy version</li> <li>• Special livery</li> </ul> <p>Further features on application.</p>
--	--	---	--

**KOMATSU**

**BUSINESS UNIT WHEEL LOADER**

[www.komatsu.de](http://www.komatsu.de)