

KOMATSU

Utility

WA
85



WA85-3

WA85-3

WHEEL LOADER

NET HORSEPOWER
48 kW 65 PS

OPERATING WEIGHT
5.210 kg

BUCKET CAPACITY
0,75 - 1,25 m³

AT A GLANCE

The new, compact wheel loader WA85-3: is more comfortable, easier to maintain and more efficient in its daily operations. Perfect comfort for the driver and an attractive design based on our experience combined with high performance mean the WA85-3 is a machine enjoying outstanding characteristics. With a hydraulic quick coupler and the comprehensive Komatsu range of attachments, there are hardly any limits to the range of uses to which the vehicle can be put.

Sliding windows fitted as standard and a high-performance (optional) air conditioner ensure an optimum climate in the cab.

Delta boom and wide, full-length front windscreen for an outstanding view of work equipment and tyres. (Page 4)

Simple changing of attachments by means of hydraulic 4-point quick coupler. (Page 5)

Maximum flexibility in using the comprehensive range of Komatsu Original Attachments. (Page 5)

Limited-slip differentials fitted as standard equipment in both axles and radial tyres ensure optimum traction.



WA85-3

WHEEL LOADER

NET HORSEPOWER
48 kW 65 PS

OPERATING WEIGHT
5.210 kg

BUCKET CAPACITY
0,75 - 1,25 m³



Simple operation by means of a servo-controlled *multi-function lever*. (Page 4)

Smooth-running, 4-cylinder *Komatsu emissionized engine*. Holding the „Blue Angel“ award on account of its outstanding quietness. (Page 4)

Rounded rear with wide, angled counterweight make for optimum visibility and easy material stock piling.

Hydrostatic transmission for evenly-balanced, high penetration power, and a maintenance-free brakes.

**The new WA85-3:
Simply operated, simply
because it's comfortable.**

WA85-3 Wheel loader



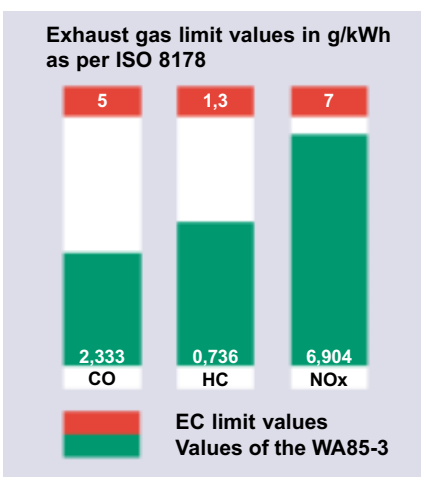
The driver's cab – driver comfort is comparable with a car
Working conditions which are as pleasant as possible for the driver: easily-read, logically arranged gauges and switches, PPC hydraulic system and a multi-function lever all contribute, as do the ergonomically-designed driver's seat and the perfectly-designed fresh air intakes, to maximum driver comfort. Attention to detail, such as the sliding window fitted as standard on the right, completes the driver-friendly picture.



The delta boom – everything is within eyesight
The shape of the boom gives excellent vision of work attachments and tyres. Optimum working conditions, even on complicated jobs, and attachment changes which only take seconds are guaranteed.



Service & maintenance – child's play
Optimum engine accessibility from three sides thanks to the wide opening of the engine-cover. The completely-sealed multiple wet disc brakes operate in an oil-bath and are maintenance free. Automatic central lubrication, available as a special option, reduces daily maintenance to an absolute minimum.



Environmentally friendly – inside and out
Both internal and external noise levels of the engine are among the lowest in this class, and it has been awarded the „Blue Angel Award“ due to its very quiet operation. It goes almost without saying that the 4-cylinder Komatsu emissionized engine is outstanding in fuel economy and smoothness of running, and meets the EC Stage II limit values with plenty to spare.

ATTACHMENTS

The Komatsu compact wheel loader demands attention through its incredible versatility. Whether it is used in structural civil engineering, road construction, agriculture, forestry or the timber industry, in landscaping companies and nurseries or in community services, the right solution is always available for your requirements.

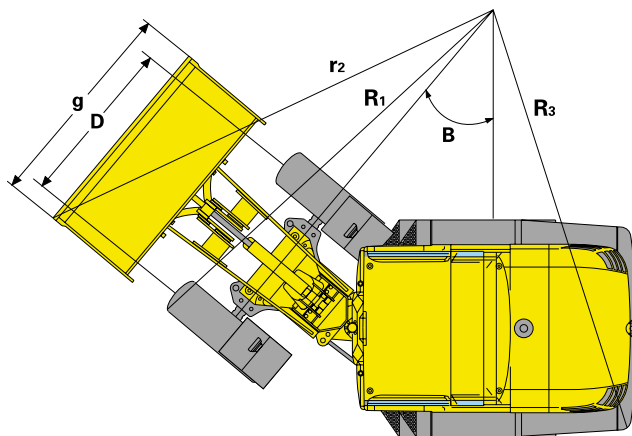
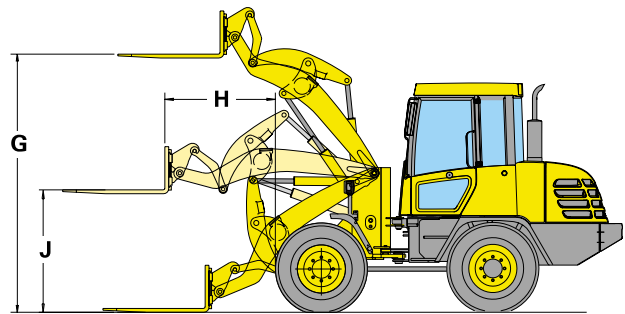
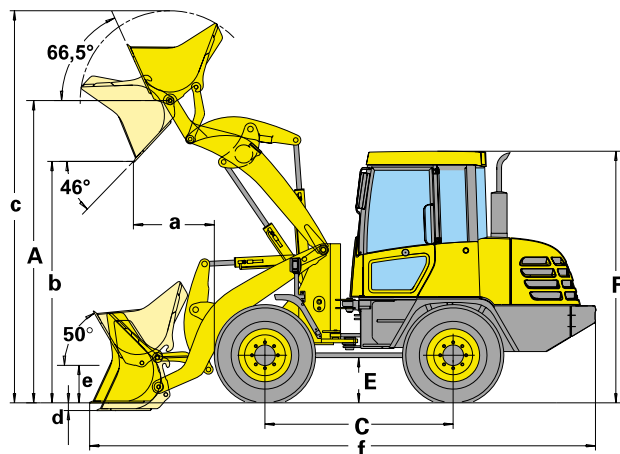
The standard equipment 4-point quick-coupler guarantees the machine's versatility and thus makes possible high-intensity operation. The coupler is also compatible with other brands, allowing these, too, to be used without problems.

Examples from the comprehensive range of original attachments are:

- Earth-moving bucket
- Light material bucket
- High dump bucket
- Mulch grab bucket
- Fork carrier and tines
- Telescopic crane arm
- 4-in-1 bucket
- Side dump bucket
- Skeleton bucket
- Sweeper



DIMENSIONS & WORKING VALUES



Dimensions – Main features

| | | |
|----|-------------------------|----------|
| A | Centre hinge pin height | 3.220 mm |
| R1 | Turning radius | 3.790 mm |
| R3 | Turning radius | 3.775 mm |
| B | Articulation angle | 40° |
| C | Wheelbase | 2.000 mm |
| D | Track width | 1.550 mm |
| E | Ground clearance | 475 mm |
| F | Overall height | 2.665 mm |

Dimensions – with fork tines

| | | |
|---|--------------------------------------|----------|
| G | Max. stacking height | 3.025 mm |
| H | Max. reach | 1.285 mm |
| J | Height of fork at max. reach | 1.435 mm |
| | Max. tipping load, straight ISO 8313 | 3.050 kg |
| | Max. tipping load, articulated | 2.600 kg |
| | Max. payload as per EN 474-3, 80% | 2.100 kg |
| | Max. payload as per EN 474-3, 60% | 1.650 kg |

(Fork carrier and tines in standard version. When using with fork carrier and tines, use of bolt-on counterweight is recommended)

Working values – use of buckets *

| Bucket type | | Universal bucket | | Lightmaterial bucket | Universal bucket (4-in-1) | Highdump bucket | |
|-------------------------------------|----------------------------|------------------|-------|----------------------|---------------------------|-----------------|---------|
| | | 0,9 | 1,0 | 1,25 | 0,75 | 1,25 | |
| Bucket (contents heaped) | m ³ | 0,9 | 1,0 | 1,25 | 0,75 | 1,25 | |
| Dumping weight | t/m ³ | 1,8 | 1,6 | 1,25 | 1,9 | 1,0 | |
| Bucket weight without teeth | kg | 380 | 385 | 410 | 660 | 700 | |
| Stat. tipping load, straight | kg | 4.030 | 3.865 | 3.920 | 3.400 | 3.265 | |
| Stat. tipping load, 40° articulated | kg | 3.420 | 3.365 | 3.320 | 2.800 | 2.770 | |
| Max. breakout force | kN | 48,6 | 43,9 | 38,0 | 41,3 | 24,2 | |
| Max. lifting capacity | kN | 38,7 | 38,6 | 38,4 | 37,7 | 35,6 | |
| Operating weight | kg | 5.210 | 5.310 | 5.240 | 5.490 | 5.530 | |
| a | Reach at 45° | mm | 865 | 890 | 975 | 900 | 1.250** |
| b | Dumping height at 45° | mm | 2.580 | 2.505 | 2.420 | 2.465 | 3.995** |
| c | Height bucket top edge | mm | 4.170 | 4.110 | 4.230 | 4.055 | 5.165 |
| d | Digging depth | mm | 75 | 110 | 110 | 115 | 105 |
| e | Height bucket transport | mm | 370 | 370 | 345 | 370 | 370 |
| f | Overall length | mm | 5.380 | 5.460 | 5.525 | 5.490 | 5.840 |
| g | Bucket width | mm | 2.050 | 2.100 | 2.100 | 2.000 | 2.100 |
| r2 | Turning radius over bucket | mm | 4.260 | 4.325 | 4.350 | 4.250 | 4.650 |

* All data with 405/70 R20 SPT9 tyres

** at max. dump angle

TECHNICAL DATA



ENGINE

| | |
|---------------------------|--|
| Type | Komatsu 4D 98E |
| Horsepower | 48 kW/65 PS (ISO 9249) |
| at engine speed | 2.500 rpm |
| Torque/engine speed | max. 240 Nm/1.600 rpm |
| No. of cylinders | 4 |
| Bore/stroke | 98/110 mm |
| Displacement | 3.318 cc. |
| Type of combustion | Direct injection |
| Cooling system | Dual circuit, liquid coolant, thermostat-controlled |
| Electrical system | 12 V |
| Battery | 1 × 12 V, 92 Ah |
| Alternator | 80 A |
| Air filter type | Dry air filter with pre-filter and safety cartridge |



TRANSMISSION

Hydrostatic transmission, capable of gear shifting in all directions under full power.

| | |
|------------------------|--------------|
| Gears | |
| Forwards/reverse | 2/2 |
| Travel speeds | |
| 1st gear | 0 - 5,7 km/h |
| 2nd gear | 0 - 20 km/h |
| Option | 0 - 30 km/h |



CHASSIS AND TYRES

| | |
|--------------------------|--|
| System | 4-wheel drive |
| Axles | Planetary rigid axles with automatic limited-slip differential in both axles |
| Articulation | Articulated/oscillating joint |
| Articulation angle | +/- 12° |
| Tyres | 405/70 R20 SPT 9 (standard) 365/80 R20 SPT 9 14,5 - 20 MPT 405/70 R20 XM 27, Michelin 405/70 R20 PG 75 R, Dunlop 375/75 R20 XM 27, Michelin |



STEERING SYSTEM

| | |
|---|---|
| System | Articulated frame steering |
| Type | Hydrostatic steering (closed center) |
| Steering angle to either side | 40° |
| Steering pump | Gear pump |
| Working pressure | 175 bar |
| Minimum turning radius (outer corner of tyre) | 3,79 m |



BRAKES

| | |
|------------------------|--|
| Operating brakes | combined inch brake pedal actuates brakes on all four wheels maintenance-free via the hydrostatic drive. Axle-integrated, oil-bath submerged multiple-disc brakes. |
| Parking brake | Mechanically-operated, oil-bath submerged multiple-disc brake. |



HYDRAULIC SYSTEM

| | |
|--|-------------------------|
| System | Closed hydraulic system |
| Working pressure | 205 bar |
| Circulating capacity of the hydraulic pump | 64,1 l/min |
| Lifting time | 4,9 s |
| Lowering time | 2,6 s |
| Dumping time | 1,0 s |



SERVICE REFILL CAPACITIES

| | |
|--|---------|
| Fuel tank | 90 l |
| Engine cooling system | 12,25 l |
| Engine oil | 9,4 l |
| Attachment, steering and motive power hydraulics | 95,0 l |
| Front axle | 6,1 l |
| Rear axle with transmission gears | 6,5 l |

STANDARD EQUIPMENT

- | | | | |
|---|---|---|---|
| <ul style="list-style-type: none"> • Standard bucket 0,9 m³ (SAE heaped) • Hydraulic 4-point quick coupler • „Return-to-dig“ • 3rd control circuit for attachment hydraulics • Hitch • Wide base tyres series 70 • Quick-check panel • Two-door safety cab, as per DIN/ISO • with roof protection ROPS/FOPS • All-round tinted glass | <ul style="list-style-type: none"> • Sliding side-window, on the right • Heated rear window • Adjustable high-comfort operator seat • Safety belt (EC standard) • Heating • PPC hydraulic system • Multi-function lever for transmission/hydraulics • Working hours meter • Temperature indicator for engine cooling system • Fuel indicator • 2 main lights | <ul style="list-style-type: none"> • 2 each halogen working lights front and rear • 2 turning lights • 2 turning lights, rear <p>General operating certification, in accordance with German Road Traffic Regulations.</p> <p>The WA85-3 is equipped in accordance with the safety regulations of the machinery guidelines, and corresponds in its exhaust gas emission values with</p> | <p>the regulations of the international standard ISO 6393 and EC Stage II regulations.</p> <p>WA85-3: Awarded the Blue Angel on account of quietness in operation: noise values LwA 97 dB(A), LpA 73 dB(A).</p> |
|---|---|---|---|

OPTIONAL EQUIPMENT

- | | | | |
|---|---|---|--|
| <ul style="list-style-type: none"> • ALS Automatic Load Stabiliser • Over-centre valve • 30 km/h version • Air-conditioner • Additional weights front axle (2 × 70 kg) • Additional counterweight rear (100 kg) • Light materials bucket 1,25 m³ • Universal bucket 0,75 m³ (4-in-1 bucket) | <ul style="list-style-type: none"> • Stock pile bucket 1,0 m³ • Mulch grab bucket 0,8 m³ • Side dump bucket 0,8 m³ • High dump bucket 1,25 m³ • Skeleton bucket • Fork carrier and tines • Telescopic crane-arm • Sweeper • Electr. actuation 3rd circuit • QC electr. lock | <ul style="list-style-type: none"> • Beacon light • Back-up alarm • Cab air safety system • Exhaust gas particles filter • Air-suspended, heated seat • Radio • Turbo III pre-filter • Electronic anti-theft lock • Battery main switch • Bio-hydraulic oil for hydraulic equipment | <ul style="list-style-type: none"> • Canopy version • Special livery <p>Further features on application.</p> |
|---|---|---|--|

KOMATSU

BUSINESS UNIT WHEEL LOADER

www.komatsu.de